

hakselaar - broyeur woodchipper - häcksler GTS900

From serial number: GTS900LV2R16070UU / GTS900MV2R16038UU

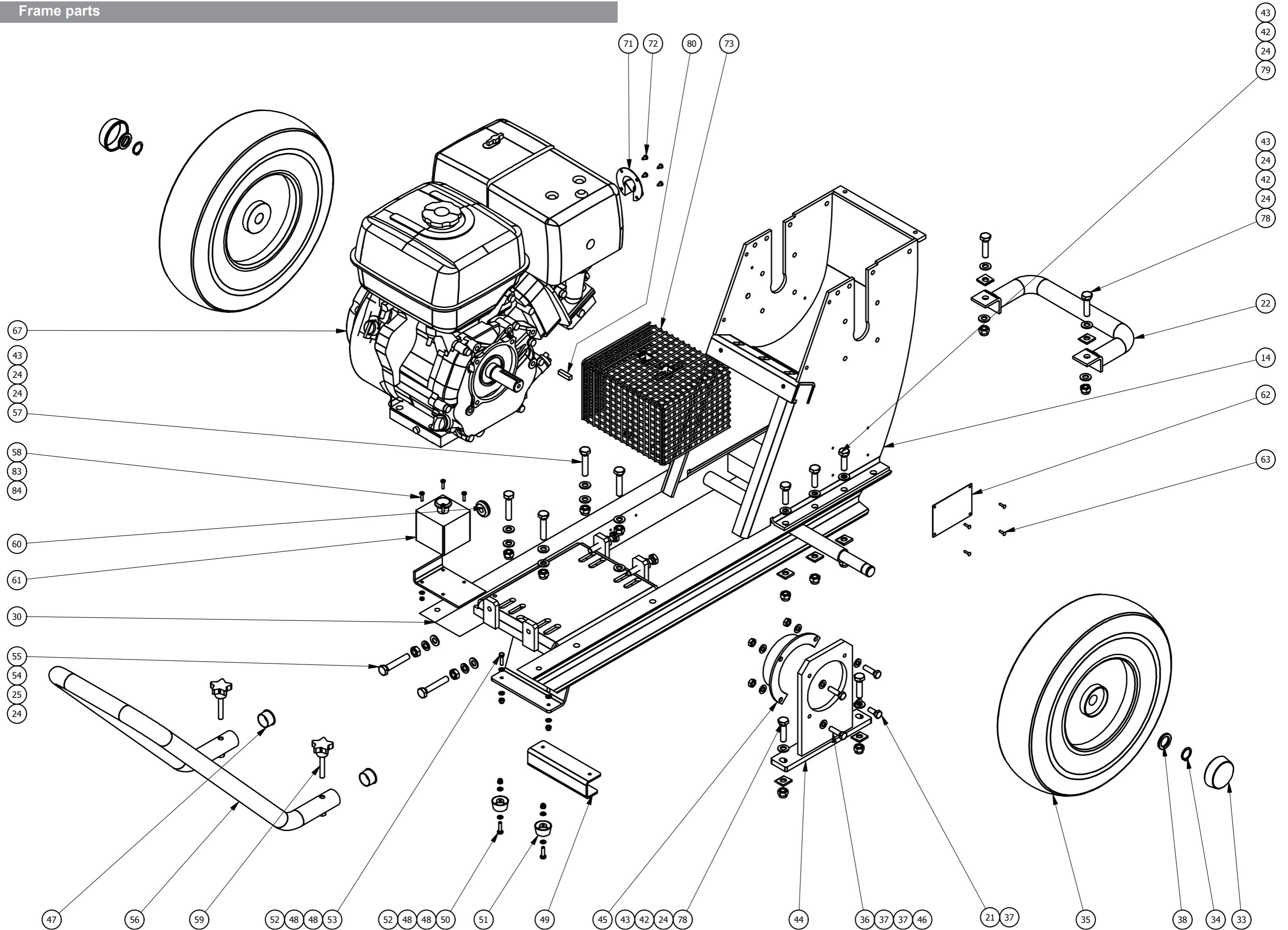


www.gtmprofessional.com

Contents

A.	Frame parts	4
B.	Shredder, rotor and belt parts.....	8
C.	Hopper parts.....	12
D.	Output chute parts	16

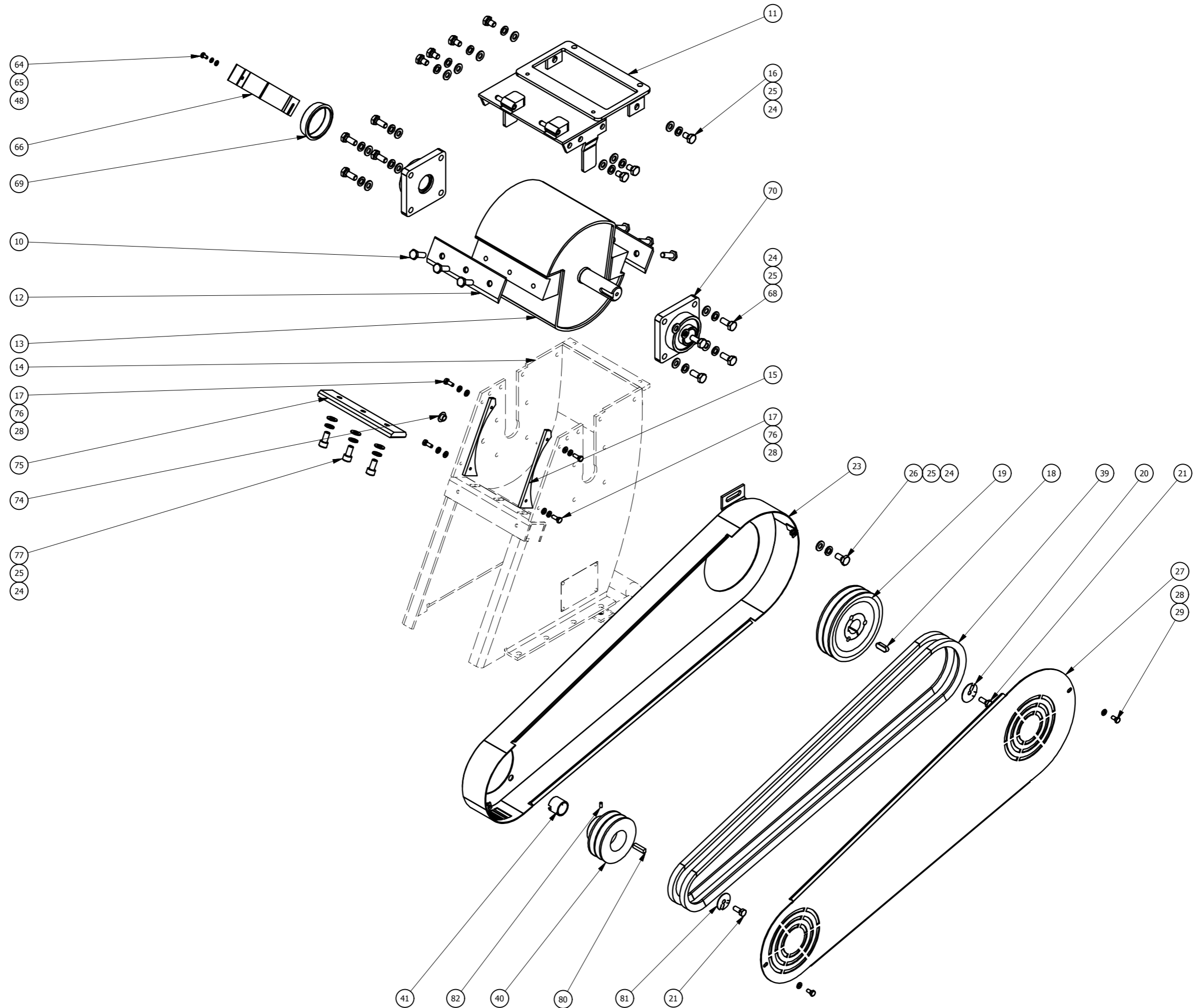
A. Frame parts



PARTNR.	ARTICLE NUMBER	PART NAME	QTY
14	MZSGTSM039023000	shredder box	1
21	MZSGTSS01M08020NFN	hexagon head bolt M8x20	3
22	MZSGTSM029003000	bumper	1
24	MZSGTSS040M1020PIR	plain washer 10	43
25	MZSGTSS040M1016LIR	open spring washer 10	23
30	MZSGTSM029006000	frame	1
33	MZSGTSM053002000	wheel cap	2
34	MZSGTSS09O200000	circlips 20	2
35	MZSGTSC05W380A95	wheel (H) 390x95 mm air tire white	2
or	MZSGTSC05W164008	wheel (B) 390x125 mm air tire white	2
or	MZSGTSC05W330A05	wheel (D) 330x125 mm air tire white	2
36	MZSGTSS01M08030NFN	hexagon head bolt M8x30	3
37	MZSGTSS040M0816PIR	plain washer 8	11
38	MZSGTSM013014000	wheel washer	2
42	MZSGTSS040M1000TIR	square tapered washer 10	10
43	MZSGTSS03M10000L0N	lock nut M10	14
44	MZSGTSM039009000	belt cover support	1
45	MZSGTSM050014000	protection cover of engine shaft	1
46	MZSGTSS03M08000N0N	M8 hexagon standard nut	3
47	MZSGTSS180000003	plastic cap for handle	2
48	MZSGTSS040M0510PIR	plain washer 5	10
49	MZSGTSM039022000	frame support pad	1
50	MZSGTSS01M05020PFN	cross recess pan head screw M5x20	2
51	MZSGTSM050048000	rubber vibration damper	2
52	MZSGTSS03M05000L0N	lock nut M5	4

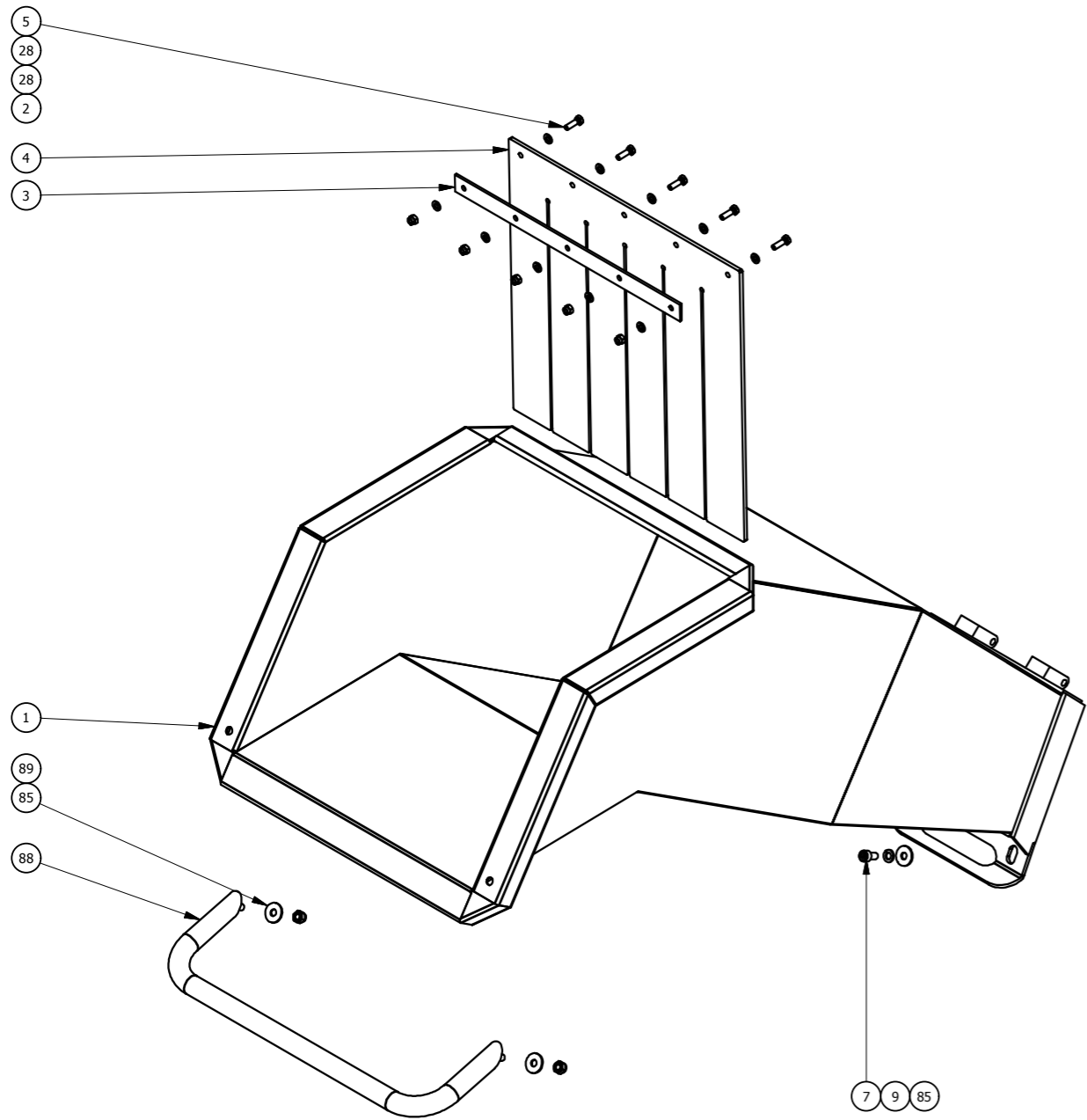
PARTNR.	ARTICLE NUMBER	PART NAME	QTY
53	MZSGTSS01M05020NFN	hexagon head bolt M5x20	2
54	MZSGTSS03M10000N0N	M10 hexagon standard nut M10	4
55	MZSGTSS01M10060NFN	hexagon head bolt M10x60	4
56	MZSGTSM029007000	handle	1
57	MZSGTSS01M10050NFN	hexagon head bolt M10x50	4
58	MZSGTSS01M04015RFN	cross recess pan head screw M4x15	4
59	MZSGTSS01M08049SFN	5 points star head bolt M8x50 (dia 40 mm)	2
60	MZSGTSM053005000	feed through coil 30/20x10	1
61	MZSGTSE02SPCOE01	emergency stop	1
62		serial number plate	1
63	MZSGTSS13AL32090	rivet ϕ 3.2x12	4
67	MZSGTSC01GGTE270	Loncin engine GTE270	1
or	MZSGTSC01MHI1000	Mitsubishi engine GB30	1
71	MZSGTSM03301500H	muffler deflector for Honda & Loncin engines	1
or	MZSGTSM03301500M	muffler deflector-MBI	1
72	MZSGTSS01M04005TFN	ST4.2x10 cross recessed head tapping screw	4
73	MZSGTSB050002000	heat protector-Loncin/Honda engines	1
or	MZSGTSM029004000	heat protector Mitsubishi engines	1
78	MZSGTSS01M10040NFN	hexagon head bolt M10x40	4
79	MZSGTSS01M10035NFN	hexagon head bolt M10x35	6
80	MZSGTSM013003000	key for Loncin/Honda engine	1
or	MZSGTSM013005000	key for MHI engine	1
83	MZSGTSS040M0408PIR	plain washer 4	4
84	MZSGTSS03M04000N0N	M4 hexagon standard nut	4

B. Shredder, rotor and belt parts



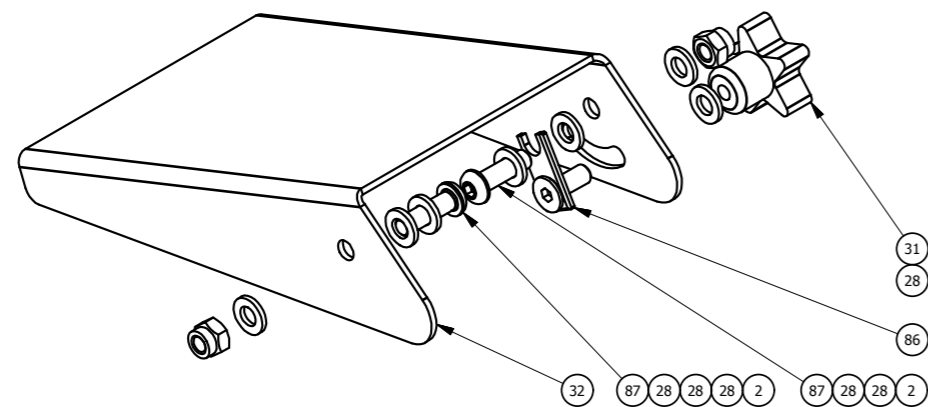
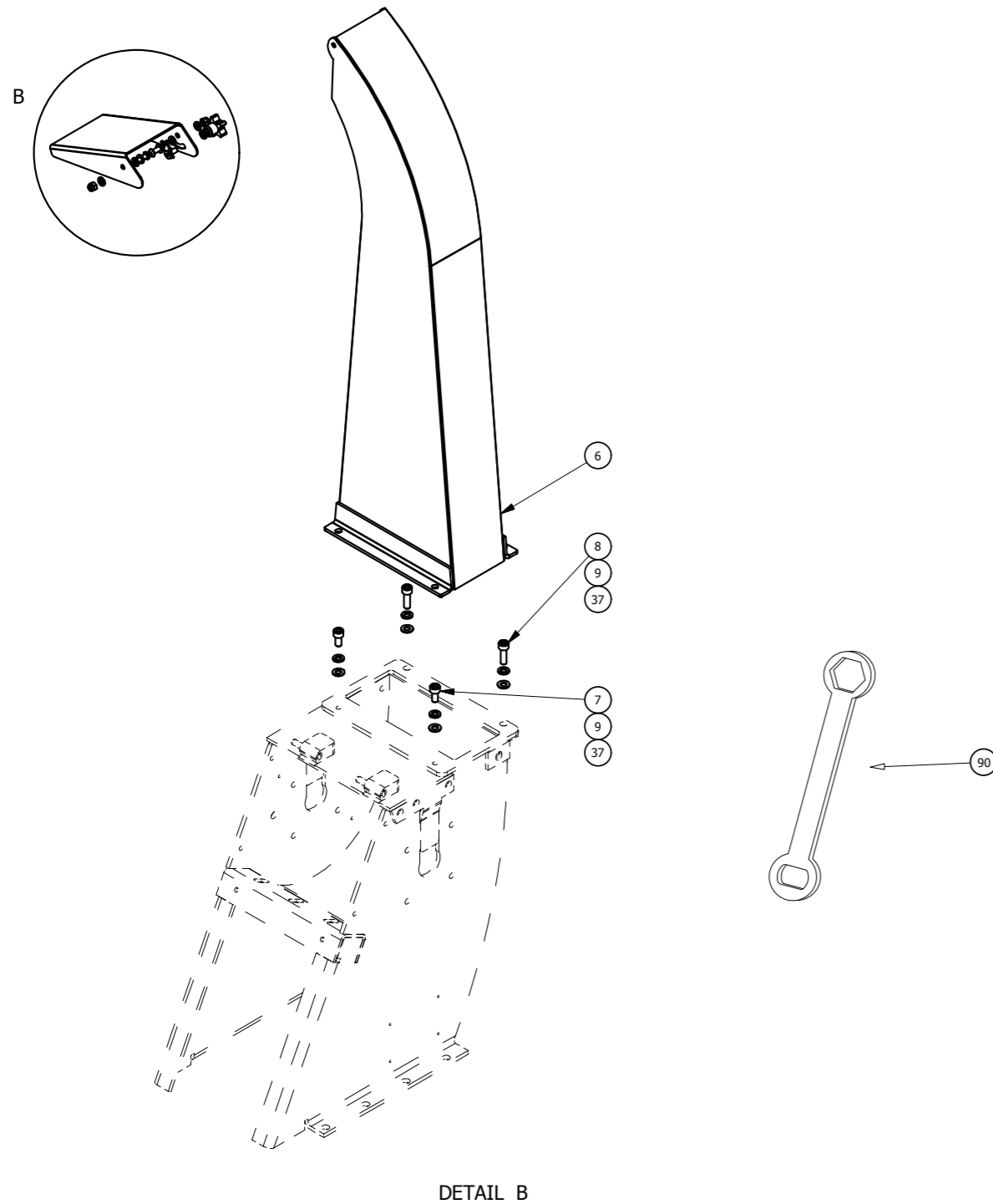
PARTNR.	ARTICLE NUMBER	PART NAME	QTY
10	MZSGTSS01M10030XFN	special bolt for blade	6
11	MZSGTSM039006000	top plate shredder box	1
12	MZSGTSM03014500PX1	blade pro	2
13	MZSGTSM030073000	rotor	1
14	MZSGTSM039023000	shredder box	1
15	MZSGTSM039012000	rotor protector	2
16	MZSGTSS01M10016NFN	hexagon head bolt M10x16	7
17	MZSGTSS01M06016NFN	hexagon head bolt M6x16	4
18	MZSGTSS14100828R	rotor key	1
19	MZSGTSM073146000	taper lock V-belt pulley 146 mm for rotor	1
20	MZSGTSM033025000	safety ring for rotor	1
21	MZSGTSS01M08020NFN	hexagon head bolt M8x20	3
23	MZSGTSM039003000	belt cover	1
24	MZSGTSS040M1020PIR	plain washer 10	43
25	MZSGTSS040M1016LIR	open spring washer 10	23
26	MZSGTSS01M10020NFN	hexagon head bolt M10x20	1
27	MZSGTSM039004000	belt cover lid	1
28	MZSGTSS040M0612PIR	plain washer 6	23
29	MZSGTSS01M06012NFN	hexagon head bolt M6x12	2
39	MZSGTSS07A661709LP	V-belt Ax66	2
40	MZSGTSM07309600L	metric engine pulley	1
or	MZSGTSM07309600T	metric taper lock pulley engine	1
41	MZSGTSM013002000	bush for engine shaft 25 mm	1
48	MZSGTSS040M0510PIR	plain washer 5	10
64	MZSGTSS01M05010RFR	cross recess pan head screw M5x10	2
65	MZSGTSS040M0510LIR	open spring washer 5	2
66	MZSGTSM033040000	bearing cap bracket	1
68	MZSGTSS01M10025NFN	hexagon head bolt M10x25	8
69	MZSGTSM053001000	bearing cap	1
70	MZSGTSS12SSFY506NN	bearing house SKF FY506M	2
74	MZSGTSS99M120800	threaded plug M12*1.5-8	1
75	MZSGTSM039019000	counter blade	1
76	MZSGTSS040M0615LIR	open spring washer 6	4
77	MZSGTSS01M10020JFN	inner hexagon socket cap head screw M10x20	3
80	MZSGTSM013003000	key for Loncin/Honda engine	1
or	MZSGTSM013005000	key for MHI engine	1
81	MZSGTSM033026000	safety ring for engine	1
82	MZSGTSS01M05010J1S	hexagon socket set screw with flat point M5x10	1

C. Hopper parts



PARTNR.	ARTICLE NUMBER	PART NAME	QTY
1	MZSGTSM039050000	wide hopper	1
2	MZSGTSS03M06000L0N	lock nut M6	7
3	MZSGTSM059005000	steel strip for rubber curtain wide hopper GTS900	1
4	MZSGTSM059006000	rubber curtain wide hopper GTS900	1
5	MZSGTSS01M06020NFN	hexagon head bolt M6x20	5
7	MZSGTSS01M08016JFN	inner hexagon socket cap head screw M8x16	4
9	MZSGTSS040M0815LIR	open spring washer 8	6
28	MZSGTSS040M0612PIR	plain washer 6	23
85	MZSGTSS040M0820BIR	large washer 8	4
88	MZSGTSM029030000	weld assembly safety bar hopper GTS900	1
89	MZSGTSS03M08000L0N	lock nut M8	2

D. Output chute parts



PARTNR.	ARTICLE NUMBER	PART NAME	QTY
2	MZSGTSS03M06000L0N	lock nut M6	7
6	MZSGTSM039005000	output chute	1
7	MZSGTSS01M08016JFN	inner hexagon socket cap head screw M8x16	4
8	MZSGTSS01M08025JFN	inner hexagon socket cap head screw M8x25	2
9	MZSGTSS040M0815LIR	open spring washer 8	6
28	MZSGTSS040M0612PIR	plain washer 6	23
31	MZSGTSS03M06000X0N	M6 3 points star head nut	1
32	MZSGTSM039007000	deflector	1
37	MZSGTSS040M0816PIR	plain washer 8	11
86	MZSGTSM030450000	deflector fix bracket	1
87	MZSGTSS01M06020BFN	hexagon socket button head screw M6x20	2
90	MZSGTSM033014000	rotor deblocking tool	1
Acc	MZSGTSS01M12030NFF	hexagon head fine thread bolt M12x1,5-30	1
Acc	MZSGTSC130003000	loose parts bag	1
Acc	MZSGTSS01M06012BFB	M6x12 hexagon socket button head screw	2

GTM
PROFESSIONAL®

www.gtmprofessional.com