

PARTS CATALOGUE

MX175B2E (7C82) CHN, EUR, SEA, TWN
MX175B2E-T (7C82) CHN, EUR, SEA

MX175B2E/MX175B2E-T
PARTS CATALOGUE
©2017 by Yamaha Motor Co., Ltd.
1st edition, November 2017
All rights reserved.
Any reprinting or unauthorized use
without the written permission of
Yamaha Motor Co., Ltd.
is expressly prohibited.
Printed in Japan.

FOREWORD

This Parts Catalogue is related to the parts for the model(s) on the cover page. When you are ordering replacement parts, please refer to this Parts Catalogue and quote both part numbers and part names correctly.

1. Modifications or additions which have been made after the issue of the Parts Catalogue will be announced in the Parts News.
It is advisable that you make the necessary corrections to the Parts Catalogue according to the Parts News.

2. Abbreviations

The following abbreviations are used in this Parts Catalogue.

“UR” Use specified parts number.

“UN” Use as many as needed.

“AP” Alternate Parts

“LM” Locally Made (Parts need to be ordered locally)

“F#” Frame No. (Applicable machine No.)

“O/S” Over Size

3. The number of components for assembly

- Parts, which are to be supplied in an assembly, are listed with a dot (.) in front of the part name as shown below.
- The numeral appearing to the right of each component part indicates the quantity of parts for each assembly unit.

PART NO.	DESCRIPTION	Q'TY	REMARKS
2F5-83310-60	FRONT FLASHER LIGHT ASSY	2	
115-83311-60	.BULB (6V-18W)	1	

4. Applicable colours of graphics are represented in the “REMARKS” as shown below.

PART NO.	DESCRIPTION	Q'TY	REMARKS
2N4-24110-00-X5	FUEL TANK COMP.	2	MXR
3J1-24240-10	.GRAPHIC, FUEL TANK	1	FOR MXR

5. Note that the illustrations for reference in finding parts numbers are not to be used for assembling. When assembling, please use the applicable service manual.

6. The asterisk (*) before a reference number indicates modified items after the first edition.

FOREWORD

Engine Serial No.

This parts catalogue is related to the parts for the models in the list below.

MODEL CODE	MODEL NAME	SPECIFICATION (OUT LINE)	ENGINE SERIAL NO.
7C82	MX175B2E	P.T.O. SHAFT B TYPE, MOUNT FACE (mm)	7C82-1000101
7C82	MX175B2E-T	P.T.O. SHAFT B TYPE, MOUNT FACE (mm)	7C82-4000101

CONTENTS

CYLINDER.....	1
CRANKSHAFT.....	2
CRANKSHAFT & PISTON.....	3
GOVERNOR 1.....	4
GOVERNOR 2.....	5
CAMSHAFT & VALVE.....	6
AIR SHROUD & STARTER.....	7
INTAKE.....	8
CARBURETOR.....	9
EXHAUST.....	10
CRANKCASE.....	11
FUEL TANK.....	12
TCI MAGNETO.....	13
ELECTRICAL.....	14
EMBLEM & LABEL.....	15

INDEX

NUMERICAL INDEX.....	16
----------------------	----

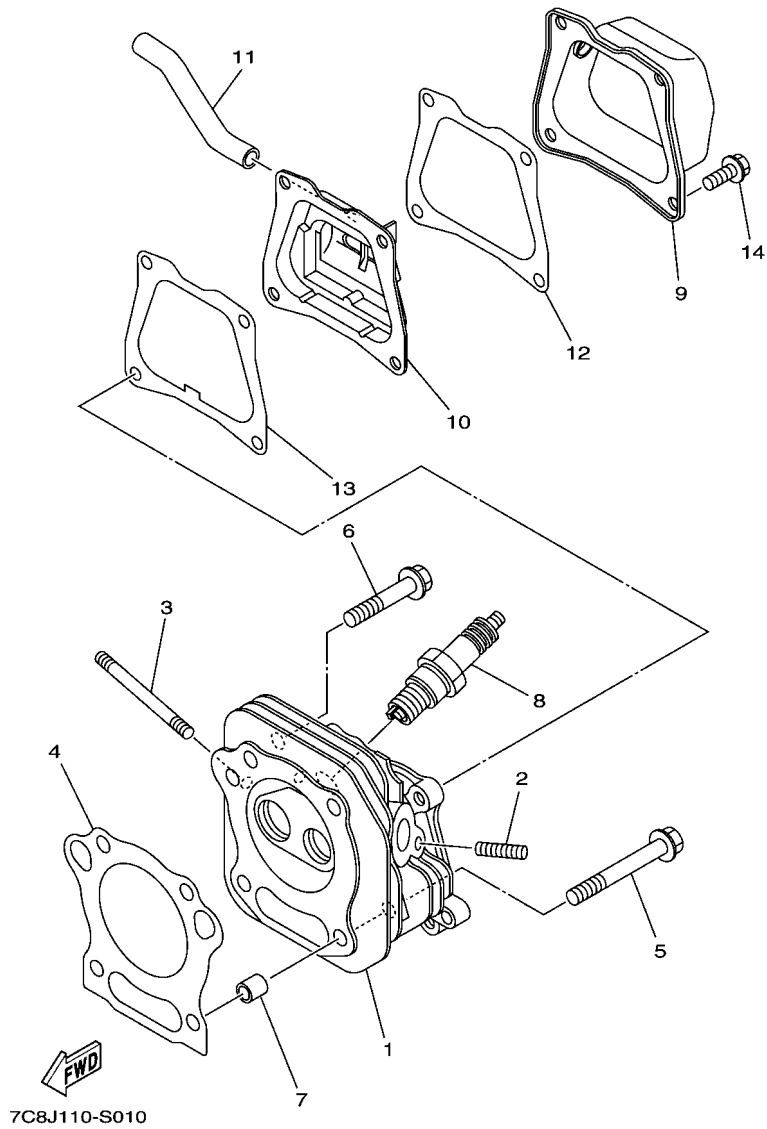
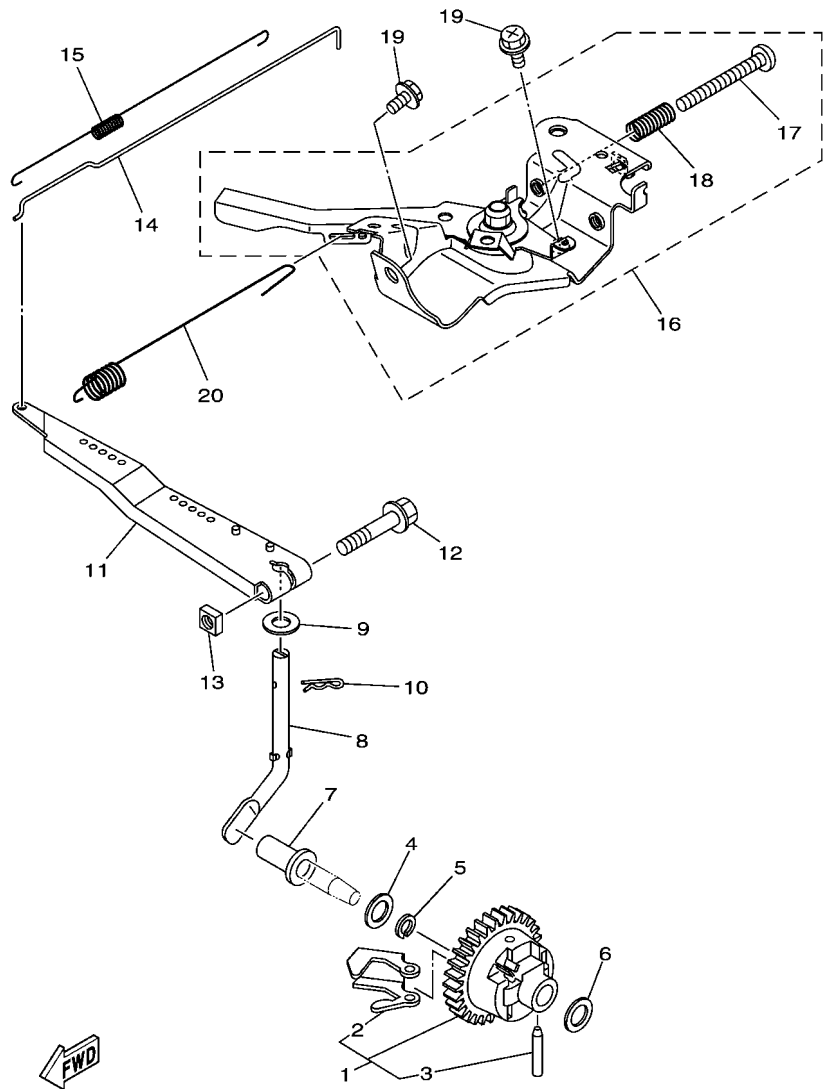


FIG. 1 CYLINDER

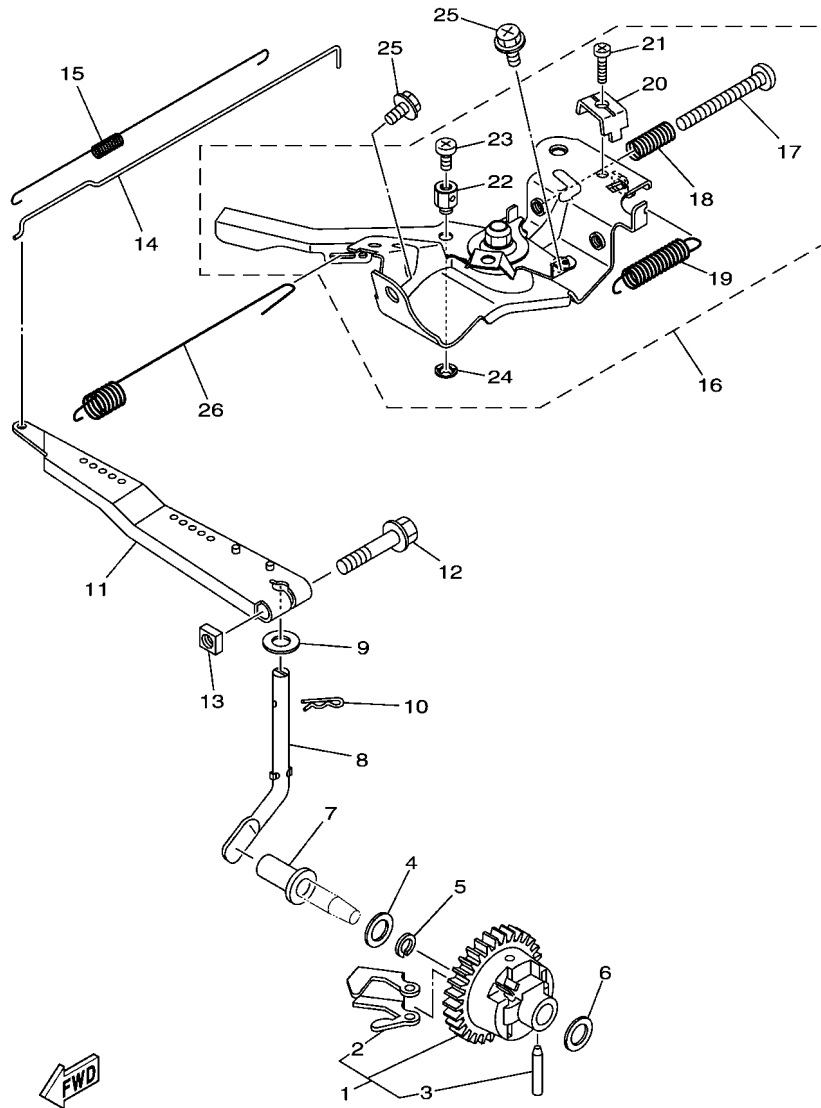
REF. NO.	PART NO.	DESCRIPTION			REMARKS
			B2E	B2ET	
1	7C8-E1111-00	HEAD, CYLINDER 1	1	1	
2	95622-08618	BOLT, STUD	2	2	
3	95622-06700	BOLT, STUD	2	2	
4	7CN-E1181-01	GASKET, CYLINDER HEAD 1	1	1	
5	95822-08065	BOLT, FLANGE	2	2	
6	95822-08045	BOLT, FLANGE	2	2	
7	99530-10114	PIN, DOWEL	2	2	
8	94702-00819	PLUG, SPARK (NGK BPR4ES)	1	1	
9	7CN-E1191-00	COVER, CYLINDER HEAD 1	1	1	
10	7CN-E1160-00	BREATHER ASSY	1	1	
11	90445-13812	HOSE	1	1	
12	7CN-E1169-02	GASKET, BREATHER COVER	1	1	
13	7CN-E1193-00	GASKET, HEAD COVER 1	1	1	
14	95822-06012	BOLT, FLANGE	4	4	



7C8J110-S040

FIG. 4 GOVERNOR 1

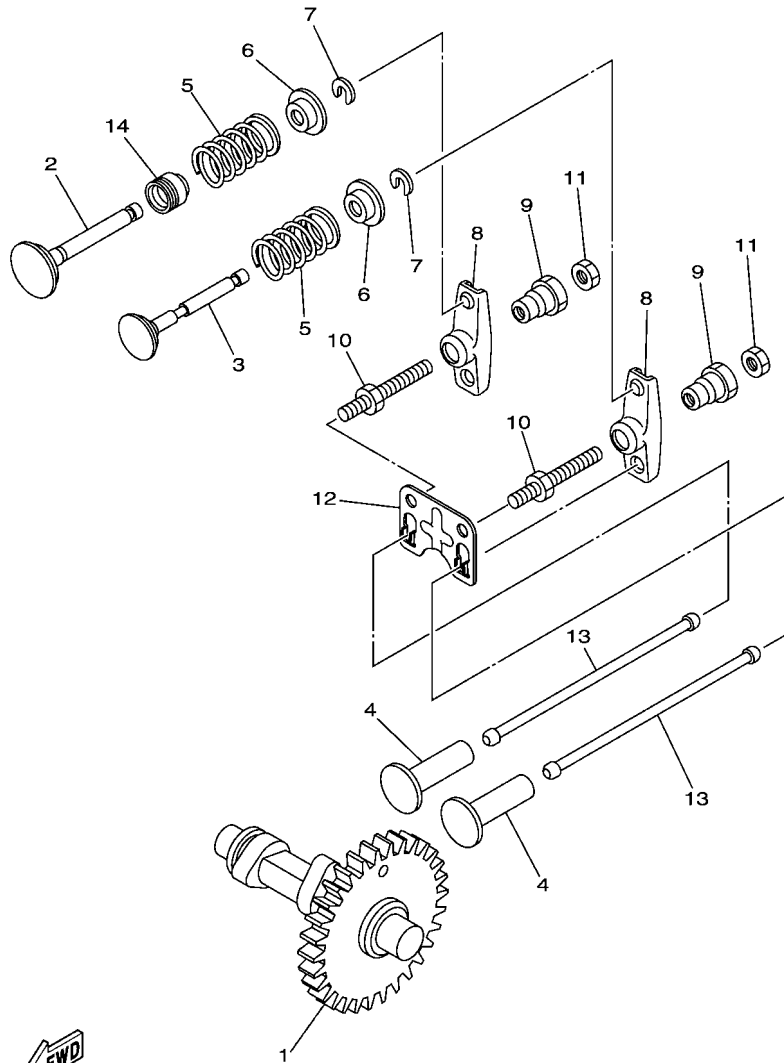
REF. NO.	PART NO.	DESCRIPTION	B2E	B2ET	REMARKS
1	7CN-E1970-10	FLYWEIGHT SHAFT ASSY	1		
2	7CN-E1913-00	.WEIGHT	2		
3	7CT-E1914-00	.SHAFT, WEIGHT	2		
4	90201-06842	WASHER, PLATE	1		
5	93440-06826	CIRCLIP	1		
6	90201-06842	WASHER, PLATE	1		
7	7CN-E1917-00	COLLAR	1		
8	7CN-E1922-00	FORK, GOVERNOR	1		
9	92902-06200	WASHER	1		
10	90468-18800	CLIP	1		
11	7DB-E1924-00	ARM, GOVERNOR	1		
12	97522-06530	BOLT, WITH WASHER	1		
13	90173-06802	NUT, SQUARE	1		
14	7DB-E1928-00	ROD, LINK	1		
15	90506-04803	SPRING, TENSION	1		
16	7DB-G1240-10	THROTTLE LEVER COMP.	1		
17	98502-05545	.SCREW, PAN HEAD	1		
18	90501-090A8	.SPRING, COMPRESSION	1		
19	95822-06012	BOLT, FLANGE	2		
20	7DB-E1925-00	SPRING, GOVERNOR	1		



7DBJ110-S040

FIG. 5 GOVERNOR 2

REF. NO.	PART NO.	DESCRIPTION	B2E	B2ET	REMARKS
1	7CN-E1970-10	FLYWEIGHT SHAFT ASSY		1	
2	7CN-E1913-00	.WEIGHT		2	
3	7CT-E1914-00	.SHAFT, WEIGHT		2	
4	90201-06842	WASHER, PLATE		1	
5	93440-06826	CIRCLIP		1	
6	90201-06842	WASHER, PLATE		1	
7	7CN-E1917-00	COLLAR		1	
8	7CN-E1922-00	FORK, GOVERNOR		1	
9	92902-06200	WASHER		1	
10	90468-18800	CLIP		1	
11	7DB-E1924-00	ARM, GOVERNOR		1	
12	97522-06530	BOLT, WITH WASHER		1	
13	90173-06802	NUT, SQUARE		1	
14	7DB-E1928-00	ROD, LINK		1	
15	90506-04803	SPRING, TENSION		1	
16	7DB-G1240-01	THROTTLE LEVER COMP.		1	
17	98502-05545	.SCREW, PAN HEAD		1	
18	90501-090A8	.SPRING, COMPRESSION		1	
19	7DB-E4275-00	.SPRING		1	
20	7HC-E1933-00	.PLATE, ADJUST		1	
21	98502-05016	.SCREW, PAN HEAD		1	
22	7DB-E1932-00	.SETTER, WIRE		1	
23	98502-04006	.SCREW, PAN HEAD		1	
24	99001-04600	.CIRCLIP		1	
25	95822-06012	BOLT, FLANGE		2	
26	7DB-E1925-00	SPRING, GOVERNOR		1	

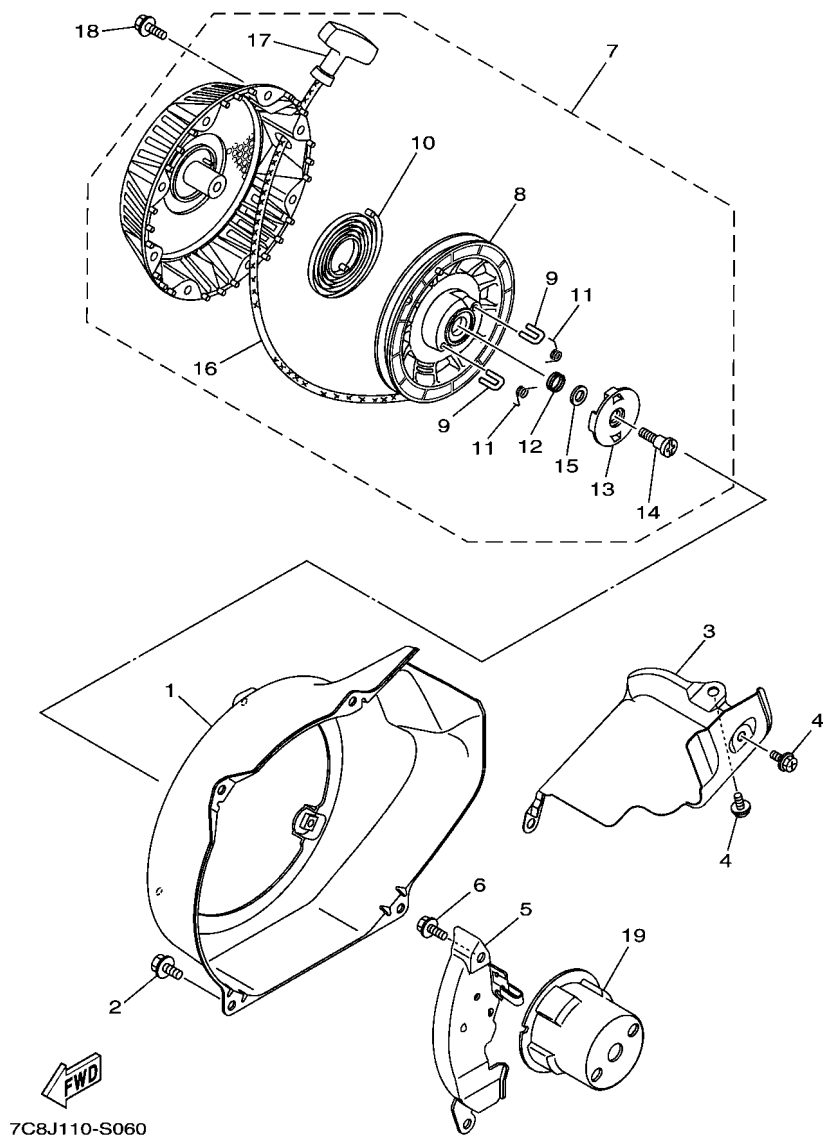


7C8J110-S050

FIG. 6 CAMSHAFT & VALVE

REF. NO.	PART NO.	DESCRIPTION	B2E	B2ET	REMARKS
1	7CN-E2180-00	CAMSHAFT ASSY 2	1	1	
2	7CN-E2111-00	VALVE, INTAKE	1	1	
3	7CN-E2121-00	VALVE, EXHAUST	1	1	
4	7CN-E2153-00	LIFTER, VALVE	2	2	
5	90501-20800	SPRING, COMPRESSION	2	2	
6	7CN-E2117-00	RETAINER, VALVE SPRING	2	2	
7	7CN-E2118-00	LOCK, VALVE SPRING RETAINER	2	2	
8	7CN-E2151-00	ARM, VALVE ROCKER	2	2	
9	7CN-E2165-00	PIVOT, ROCKER ARM	2	2	
10	7CN-E2157-01	BOLT	2	2	
11	7CN-E2158-01	NUT, LOCK	2	2	
12	7DB-E2155-00	GUIDE, PUSH ROD	1	1	
13	7CN-E2154-00	ROD, VALVE PUSH	2	2	
14	7DH-E2119-01	SEAL, VALVE STEM	1	1	

FIG. 7 AIR SHROUD & STARTER



REF. NO.	PART NO.	DESCRIPTION	B2E	B2ET	REMARKS
1	7DB-E2621-00	CASE, FAN	1	1	
2	95802-06012	BOLT, FLANGE	4	4	
3	7DB-E2651-00	AIR SHROUD, CYLINDER 1	1	1	
4	95802-06010	BOLT, FLANGE	2	2	
5	7DB-E262E-00	SHROUD, 2	1	1	
6	95802-06012	BOLT, FLANGE	1	1	
7	7DB-E5710-00	STARTER ASSY	1	1	
8	7DB-E5714-00	.DRUM, SHEAVE	1	1	
9	7DB-E5741-00	.PAWL, DRIVE	2	2	
10	7DB-E5713-00	.SPRING, STARTER	1	1	
11	7DB-E5715-00	.SPRING, FRICTION	2	2	
12	7DB-E5743-00	.SPRING, RETURN	1	1	
13	7DB-E5716-00	.PLATE, DRIVE	1	1	
14	7HC-E5793-00	.SCREW	1	1	
15	7DB-E5719-00	.WASHER, THRUST	1	1	
16	7CN-E5751-00	.WIRE, STARTER	1	1	
17	7CN-E5755-00	.HANDLE, STARTER	1	1	
18	90105-068C0	BOLT, FLANGE	3	3	
19	7DB-E5723-00	PULLEY, STARTER	1	1	

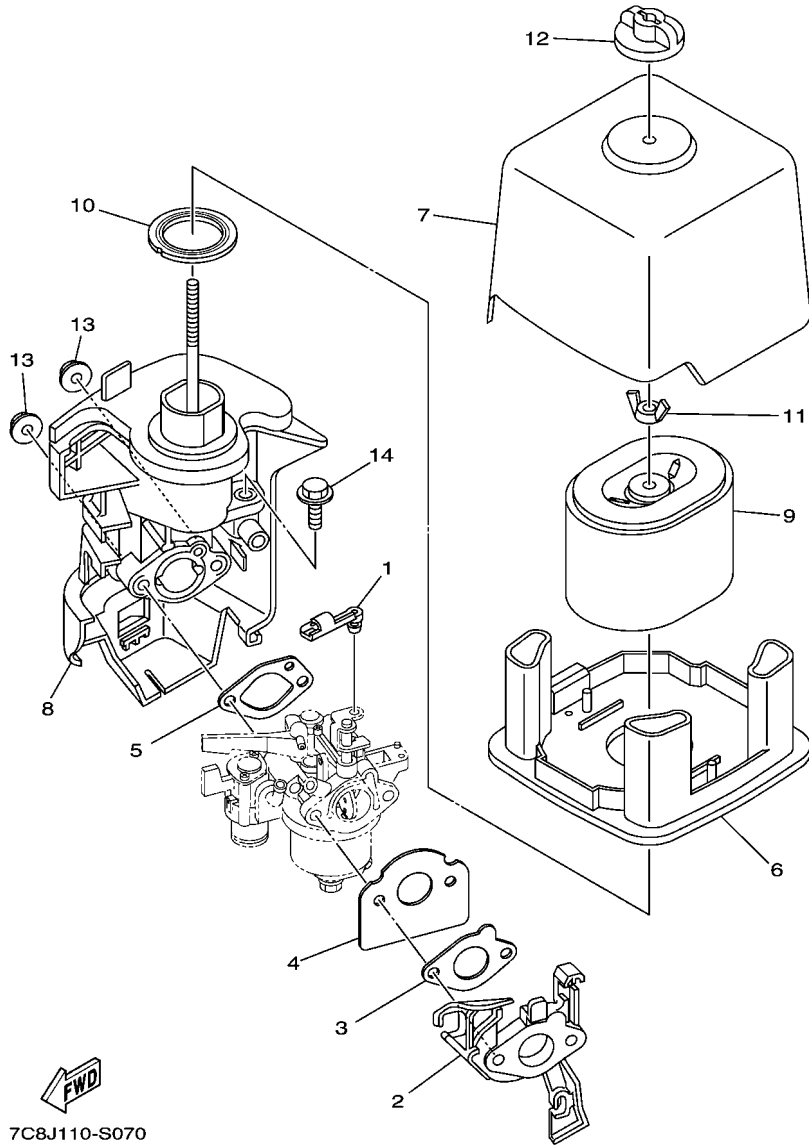
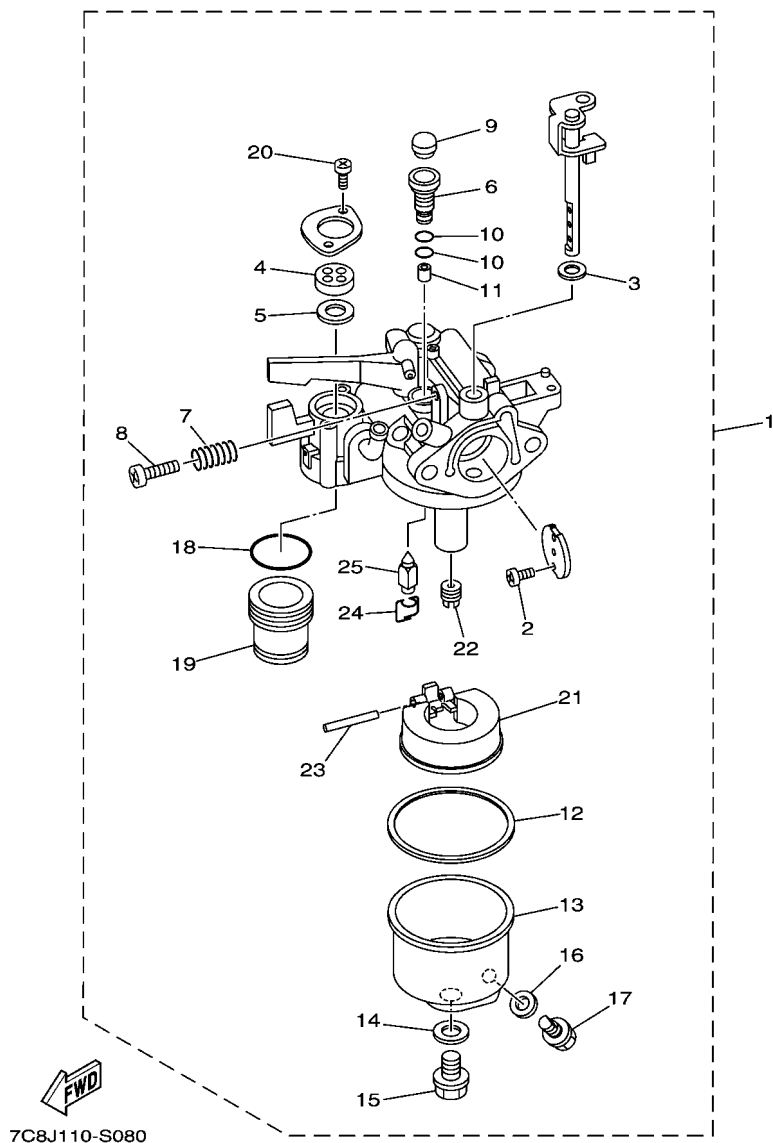


FIG. 8 INTAKE

REF. NO.	PART NO.	DESCRIPTION	B2E	B2ET	REMARKS
1	7UC-G384A-00	BOSS, ROD END	1	1	
2	7DB-E3596-00	JOINT, CARBURETOR 2	1	1	
3	7CN-E3557-12	GASKET	1	1	
4	7DB-E3557-00	GASKET	1	1	
5	7CN-E3567-12	GASKET	1	1	
6	7DB-E4411-00	CASE, AIR CLEANER 1	1	1	
7	7DB-E4412-00	CAP, CLEANER CASE 1	1	1	
8	7DB-E4430-00	DUCT ASSY	1	1	
9	7DB-E4450-00	ELEMENT ASSY, AIR CLEANER	1	1	
10	90430-33801	GASKET	1	1	
11	90175-06809	NUT, WING	1	1	
12	7DB-E4439-00	NUT	1	1	
13	95702-06500	NUT, FLANGE	2	2	
14	95802-06016	BOLT, FLANGE	1	1	

FIG. 9 CARBURETOR



REF. NO.	PART NO.	DESCRIPTION	B2E	B2ET	REMARKS
1	7C8-E4301-00	CARBURETOR ASSY 1	1	1	
2	7BX-E4216-00	.SCREW	2	2	
3	7HC-E4239-00	.SEAL	1	1	
4	7DB-E4199-00	.GASKET	1	1	
5	7DB-E4366-00	.WASHER, WAVE	1	1	
6	7DB-E4942-00	.JET, PILOT	1	1	
7	7DB-E4212-00	.SPRING, PILOT ADJUSTING	1	1	
8	7HC-E4922-00	.SCREW, THROTTLE	1	1	
9	7DB-E4293-00	.COVER 1	1	1	
10	7DB-E416A-00	.O-RING	2	2	
11	7DB-E4A42-19	.JET, PILOT	1	1	
12	7DB-E4184-00	.GASKET, FLOAT CHAMBER	1	1	
13	7DB-E4A81-00	.BODY, FLOAT CHAMBER 1	1	1	
14	7HC-E4227-00	.WASHER	1	1	
15	7HC-E4162-00	.BOLT, HOLDING	1	1	
16	7DB-E4198-00	.GASKET	1	1	
17	7DB-E4191-00	.PLUG, DRAIN	1	1	
18	7DB-E4147-00	.O-RING	1	1	
19	7DB-E4689-00	.CUP	1	1	
20	7BX-E4216-00	.SCREW	2	2	
21	7DB-E4185-00	.FLOAT	1	1	
22	7DB-E4A43-78	.JET, MAIN	1	1	
23	7DB-E4186-00	.PIN, FLOAT	1	1	
24	7DB-E4159-00	.CLIP	1	1	
25	7DB-E4150-00	.NEEDLE ASSY	1	1	

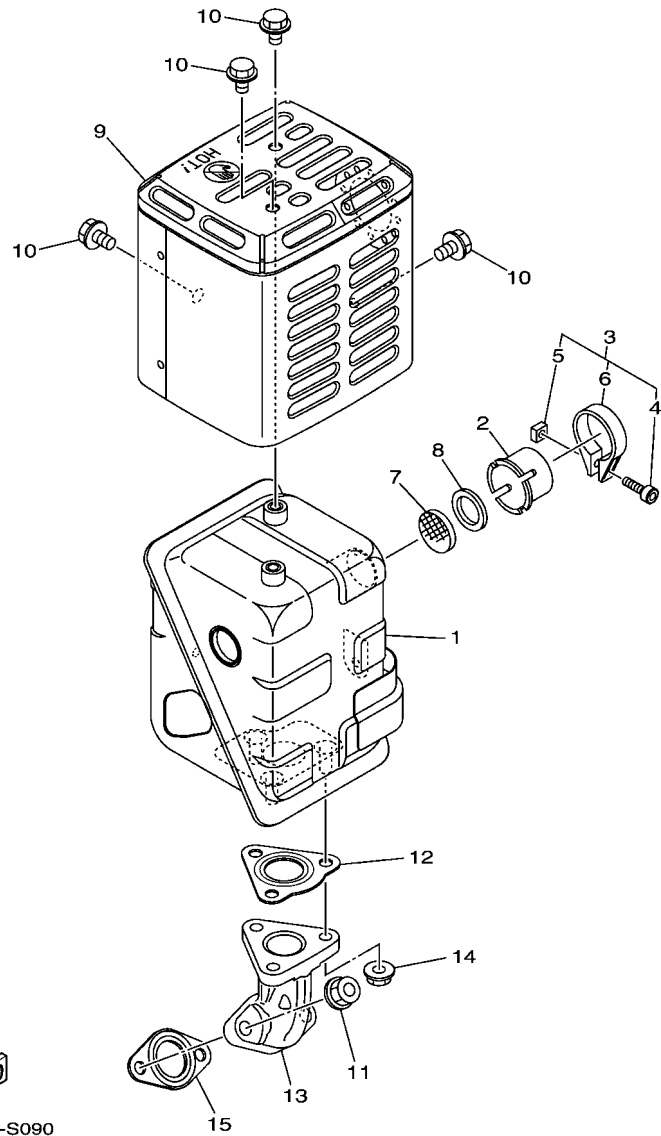
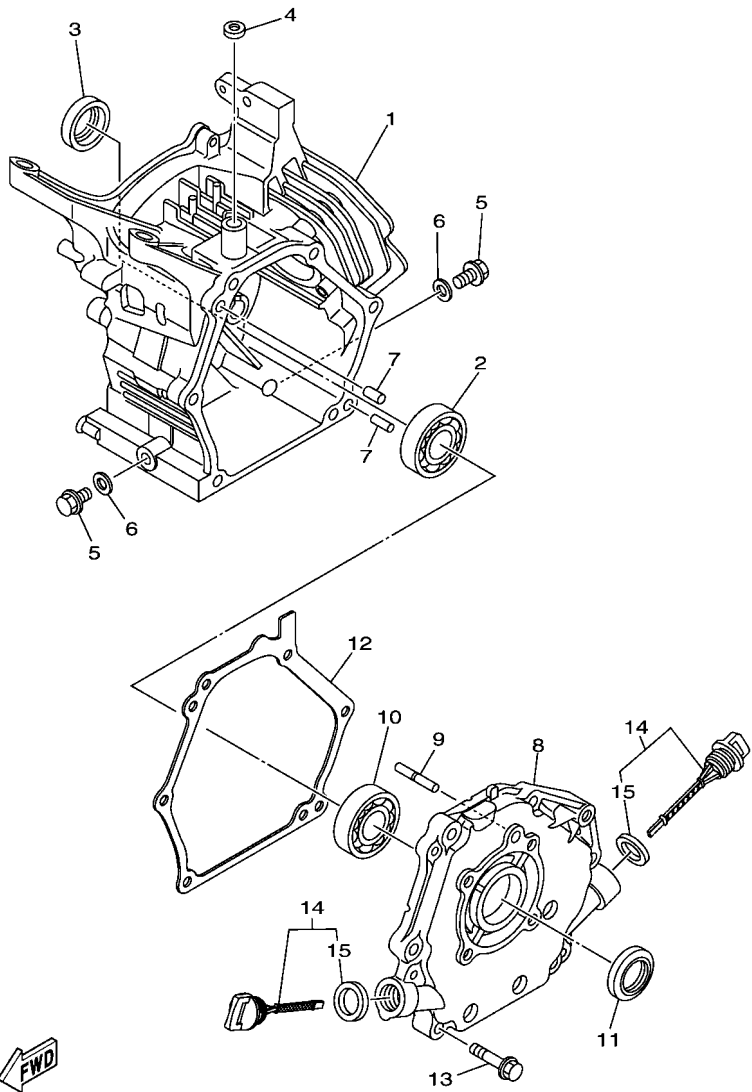


FIG. 10 EXHAUST

REF. NO.	PART NO.	DESCRIPTION	B2E	B2ET	REMARKS
1	7DB-E4711-10	MUFFLER 1	1	1	
2	7CA-E4799-00	CAP	1	1	
3	7DX-E4788-00	BAND, SILENCER	1	1	
4	7DX-E4777-00	.BOLT	1	1	
5	7DX-E4775-00	.NUT	1	1	
6	7DX-E477R-00	.BAND 1	1	1	
7	7CA-E479E-00	NET, WIRE 2	1	1	
8	90201-17802	WASHER, PLATE	1	1	
9	7DB-E4708-00	PROTECTOR ASSY	1	1	
10	95822-06008	BOLT, FLANGE	4	4	
11	95702-08500	NUT, FLANGE	2	2	
12	7DB-E4623-00	GASKET, EXHAUST PIPE	1	1	
13	7DB-E4611-00	PIPE, EXHAUST 1	1	1	
14	95704-06500	NUT, FLANGE	3	3	
15	7DB-E4613-00	GASKET, EXHAUST PIPE	1	1	

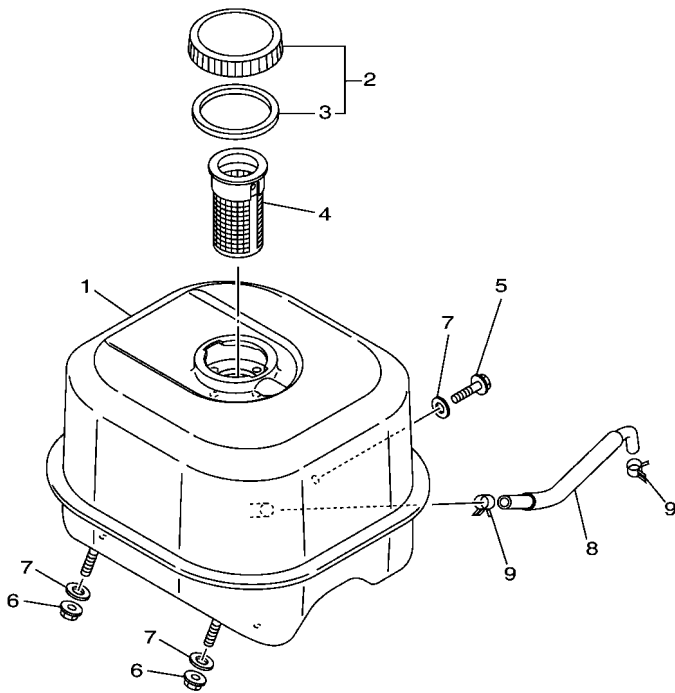


7C8J110-S100

FIG. 11 CRANKCASE

REF. NO.	PART NO.	DESCRIPTION			REMARKS
			B2E	B2ET	
1	7C8-E5121-00	CRANKCASE 2	1	1	
2	93306-255Y3	BEARING	1	1	
3	93102-25806	OIL SEAL	1	1	
4	93104-06800	OIL SEAL	1	1	
5	95022-10016	BOLT, FLANGE	2	2	
6	90430-10801	GASKET	2	2	
7	99530-08016	PIN, DOWEL	2	2	
8	7DB-E5411-10	COVER, CRANKCASE 1	1	1	
9	7CN-E1971-00	SHAFT, FLYWEIGHT	1	1	
10	93306-255Y3	BEARING	1	1	
11	93102-25805	OIL SEAL	1	1	
12	7CN-E5451-10	GASKET, CRANKCASE COVER 1	1	1	
13	95822-08035	BOLT, FLANGE	6	6	
14	7BX-E536A-00	PLUG, OIL LEVEL	2	2	
15	90430-17801	.GASKET	1	1	

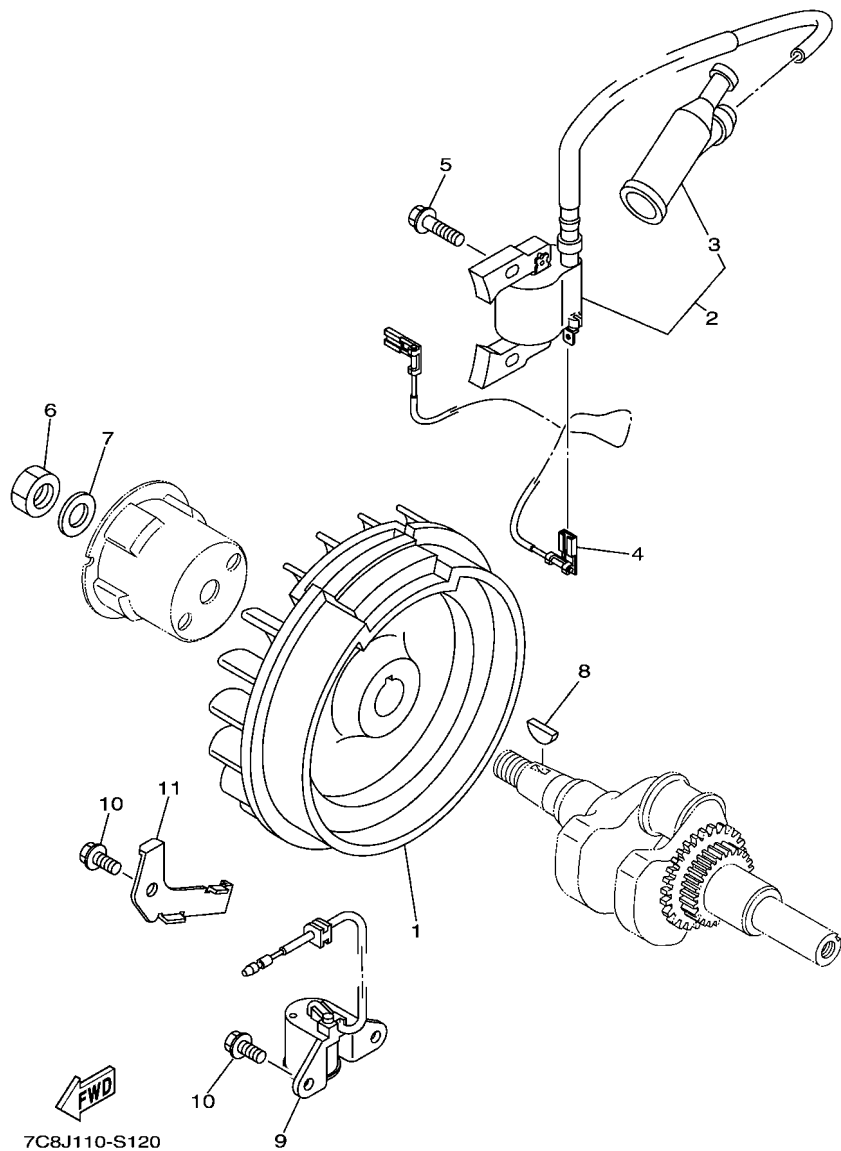
FIG. 12 FUEL TANK



REF. NO.	PART NO.	DESCRIPTION	B2E	B2ET	REMARKS
1	7DB-F4110-11	FUEL TANK COMP.	1	1	
2	7CN-F4610-01	CAP ASSY	1	1	
3	7CN-F4612-01	.PACKING, CAP	1	1	
4	7CN-F4167-00	STRAINER	1	1	
5	95812-06025	BOLT, FLANGE	1	1	
6	95702-06500	NUT, FLANGE	2	2	
7	90201-06842	WASHER, PLATE	3	3	
8	7DB-F4311-10	PIPE, FUEL 1	1	1	
9	90467-09806	CLIP	2	2	


7C82400-S120

FIG. 13 TCI MAGNETO



REF. NO.	PART NO.	DESCRIPTION	B2E	B2ET	REMARKS
1	7CN-H5650-00	ROTOR ASSY	1	1	
2	7DB-H2300-00	IGN. ASSY	1	1	
3	7DB-H2370-00	.PLUG CAP ASSY	1	1	
4	7DB-H2318-00	WIRE, SUB-LEAD	1	1	
5	95822-06020	BOLT, FLANGE	2	2	
6	90170-14800	NUT	1	1	
7	92902-14200	WASHER	1	1	
8	90280-04801	KEY, WOODRUFF	1	1	
9	7CN-H5720-00	OIL LEVEL GAUGE ASSY	1	1	
10	95822-06012	BOLT, FLANGE	3	3	
11	7CN-H5724-00	CLAMP	1	1	

NUMERICAL INDEX

PART NO.	REF. NO.	PART NO.	REF. NO.	PART NO.	REF. NO.	PART NO.	REF. NO.	PART NO.	REF. NO.	PART NO.	REF. NO.
7C8-E1111-00	1 - 1	7CN-E2180-00	6 - 1	7DB-E4A42-19	9 - 11	90201-06842	5 - 6	95822-08035	11 - 13		
7CN-E1160-00	1 - 10	7DB-E2621-00	7 - 1	7DB-E4A43-78	9 - 22		12 - 7	95822-08045	1 - 6		
7CN-E1169-02	1 - 12	7C8-E2629-00	15 - 2	7DB-E4A43-78	9 - 13	90201-17802	10 - 8	95822-08065	1 - 5		
7CN-E1181-01	1 - 4	7DB-E262E-00	7 - 5	7C8-E5121-00	11 - 1	90280-04801	13 - 8	97522-06530	4 - 12		
7CN-E1191-00	1 - 9	7DB-E2651-00	7 - 3	7BX-E536A-00	11 - 14	90282-05802	3 - 1		5 - 12		
7CN-E1193-00	1 - 13	7DB-E3557-00	8 - 4	7DB-E5411-10	11 - 8	90430-10801	11 - 6	98502-04006	5 - 23		
7CN-E1400-20	2 - 1	7CN-E3557-12	8 - 3	7CN-E5451-10	11 - 12	90430-17801	11 - 15	98502-05008	14 - 2		
7CN-E1561-00	3 - 8	7CN-E3567-12	8 - 5	7DB-E5710-00	7 - 7	90430-33801	8 - 10	98502-05016	5 - 21		
7CP-E1610-00	3 - 5	7DB-E3596-00	8 - 2	7DB-E5713-00	7 - 10	90445-13812	1 - 11	98502-05545	4 - 17		
7CP-E1610-10	3 - 5	7DB-E4147-00	9 - 18	7DB-E5714-00	7 - 8	90467-09806	12 - 9		5 - 17		
7CP-E1610-20	3 - 5	7DB-E4150-00	9 - 25	7DB-E5715-00	7 - 11	90468-18800	4 - 10	99001-04600	5 - 24		
7BX-E1631-00-A0	3 - 4	7DB-E4159-00	9 - 24	7DB-E5716-00	7 - 13		5 - 10	99530-08016	11 - 7		
7CN-E1633-00	3 - 6	7HC-E4162-00	9 - 15	7DB-E5719-00	7 - 15	90501-090A8	4 - 18	99530-10114	1 - 7		
7BX-E1635-00	3 - 4	7DB-E416A-00	9 - 10	7DB-E5723-00	7 - 19		5 - 18				
7BX-E1636-00	3 - 4	7DB-E4184-00	9 - 12	7DB-E5741-00	7 - 9	90501-20800	6 - 5				
7CN-E1650-11	3 - 2	7DB-E4185-00	9 - 21	7DB-E5743-00	7 - 12	90506-04803	4 - 15				
7CN-E1654-00	3 - 3	7DB-E4186-00	9 - 23	7CN-E5751-00	7 - 16		5 - 15				
7CN-E1913-00	4 - 2	7DB-E4191-00	9 - 17	7CN-E5755-00	7 - 17	92902-06200	4 - 9				
	5 - 2	7DB-E4198-00	9 - 16	7HC-E5793-00	7 - 14		5 - 9				
7CT-E1914-00	4 - 3	7DB-E4199-00	9 - 4	7DB-F4110-11	12 - 1	92902-14200	13 - 7				
	5 - 3	7DB-E4212-00	9 - 7	7DB-F4154-00	15 - 1	93102-25805	11 - 11				
7CN-E1917-00	4 - 7	7BX-E4216-00	9 - 2	7DB-F4161-00	15 - 3	93102-25806	11 - 3				
	5 - 7		9 - 20	7CN-F4162-20	15 - 4	93104-06800	11 - 4				
7CN-E1922-00	4 - 8	7HC-E4227-00	9 - 14	7CN-F4167-00	12 - 4	93306-255Y3	11 - 2				
	5 - 8	7HC-E4239-00	9 - 3	7DB-F4311-10	12 - 8		11 - 10				
7DB-E1924-00	4 - 11	7DB-E4275-00	5 - 19	7CN-F4610-01	12 - 2	93440-06826	4 - 5				
	5 - 11	7DB-E4293-00	9 - 9	7CN-F4612-01	12 - 3		5 - 5				
7DB-E1925-00	4 - 20	7C8-E4301-00	9 - 1	7PB-F817K-00	15 - 5	93450-17828	3 - 7				
	5 - 26	7DB-E4366-00	9 - 5	7DB-G1240-01	5 - 16	94702-00819	1 - 8				
7DB-E1928-00	4 - 14	7DB-E4411-00	8 - 6	7DB-G1240-10	4 - 16	95022-10016	11 - 5				
	5 - 14	7DB-E4412-00	8 - 7	7UC-G384A-00	8 - 1	95622-06700	1 - 3				
7DB-E1932-00	5 - 22	7DB-E4430-00	8 - 8	7DB-H2300-00	13 - 2	95622-08618	1 - 2				
7HC-E1933-00	5 - 20	7DB-E4439-00	8 - 12	7DB-H2318-00	13 - 4	95702-06500	8 - 13				
7CN-E1970-10	4 - 1	7DB-E4450-00	8 - 9	7DB-H2319-00	14 - 3		12 - 6				
	5 - 1	7DB-E4611-00	10 - 13	7DB-H2370-00	13 - 3	95702-08500	10 - 11				
7CN-E1971-00	11 - 9	7DB-E4613-00	10 - 15	7PB-H2550-00	14 - 1	95704-06500	10 - 14				
7CN-E2111-00	6 - 2	7DB-E4623-00	10 - 12	7CN-H5650-00	13 - 1	95802-06008	14 - 5				
7CN-E2117-00	6 - 6	7DB-E4689-00	9 - 19	7DB-H5690-00	14 - 4	95802-06010	7 - 4				
7CN-E2118-00	6 - 7	7DB-E4708-00	10 - 9	7CN-H5720-00	13 - 9	95802-06012	7 - 2				
7DH-E2119-01	6 - 14	7DB-E4711-10	10 - 1	7CN-H5724-00	13 - 11		7 - 6				
7CN-E2121-00	6 - 3	7DX-E4775-00	10 - 5	90105-068C0	7 - 18	95802-06016	8 - 14				
7CN-E2151-00	6 - 8	7DX-E4777-00	10 - 4	90170-14800	13 - 6	95812-06025	12 - 5				
7CN-E2153-00	6 - 4	7DX-E477R-00	10 - 6	90173-06802	4 - 13	95822-06008	10 - 10				
7CN-E2154-00	6 - 13	7DX-E4788-00	10 - 3		5 - 13	95822-06012	1 - 14				
7DB-E2155-00	6 - 12	7CA-E4799-00	10 - 2	90175-06809	8 - 11		4 - 19				
7CN-E2157-01	6 - 10	7CA-E479E-00	10 - 7	90201-06842	4 - 4		5 - 25				
7CN-E2158-01	6 - 11	7HC-E4922-00	9 - 8		4 - 6		13 - 10				
7CN-E2165-00	6 - 9	7DB-E4942-00	9 - 6		5 - 4	95822-06020	13 - 5				