



PARTS CATALOGUE

YT1070E (7RW5) EUROPE



1S7RW-300E1

()

YT1070E
PARTS CATALOGUE
©2016 by Yamaha Motor Co., Ltd.
1st edition, August 2016
All rights reserved.
Any reprinting or unauthorized use
without the written permission of
Yamaha Motor Co., Ltd.
is expressly prohibited.
Printed in Japan.

FOREWORD

This Parts Catalogue is related to the parts for the model(s) on the cover page. When you are ordering replacement parts, please refer to this Parts Catalogue and quote both part numbers and part names correctly.

1. Modifications or additions which have been made after the issue of the Parts Catalogue will be announced in the Parts News.
It is advisable that you make the necessary corrections to the Parts Catalogue according to the Parts News.

2. Abbreviations

The following abbreviations are used in this Parts Catalogue.

“UR” Use specified parts number.

“UN” Use as many as needed.

“AP” Alternate Parts

“LM” Locally Made (Parts need to be ordered locally)

“F#” Frame No. (Applicable machine No.)

“O/S” Over Size

3. The number of components for assembly

- Parts, which are to be supplied in an assembly, are listed with a dot (.) in front of the part name as shown below.
- The numeral appearing to the right of each component part indicates the quantity of parts for each assembly unit.

PART NO.	DESCRIPTION	Q'TY	REMARKS
2F5-83310-60	FRONT FLASHER LIGHT ASSY	2	
115-83311-60	.BULB (6V-18W)	1	

4. Applicable colours of graphics are represented in the “REMARKS” as shown below.

PART NO.	DESCRIPTION	Q'TY	REMARKS
2N4-24110-00-X5	FUEL TANK COMP.	2	MXR
3J1-24240-10	.GRAPHIC, FUEL TANK	1	FOR MXR

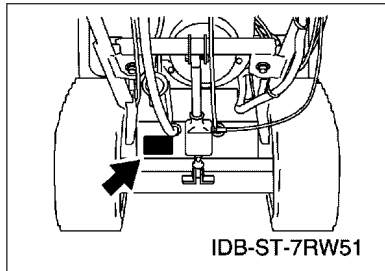
5. Note that the illustrations for reference in finding parts numbers are not to be used for assembling. When assembling, please use the applicable service manual.

6. The asterisk (*) before a reference number indicates modified items after the first edition.

FOREWORD

7. Applicable Serial No.

Frame Serial No.



8. Applicable Colour Code (The (*) mark shows Model colour.)

Abbreviation	Colour Name	Colour Code
FWB(*)	FARAWAY BLUE	00NJ
YB	YAMAHA BLACK	0033

9. Applicable Starting Serial No.

Frame Serial No.

Serial No.	Name Of Q'ty Column	Model Code
7RW-5700272	7RW5	7RW5

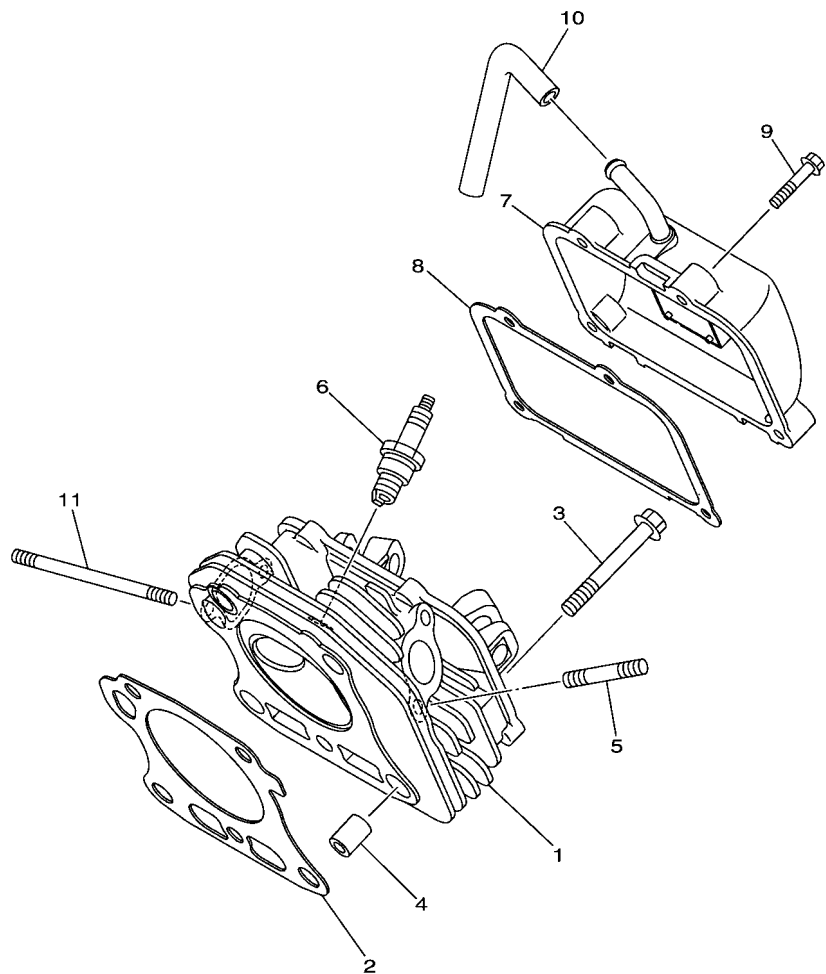
CONTENTS

CYLINDER HEAD.....	1
CRANKSHAFT & PISTON.....	2
GOVERNOR.....	3
CAMSHAFT & VALVE.....	4
AIR SHROUD & STARTER.....	5
INTAKE.....	6
CARBURETOR.....	7
EXHAUST.....	8
CRANKCASE.....	9
FUEL TANK.....	10
FRAME.....	12
AUGA CASE.....	13
SCHUTE & SCHUTE CONTROL.....	15
STEERING LINK.....	16
CLUTCH LEVER.....	17
CLUTCH.....	18
CONTROL BOX.....	19
SCHUTE CONTROL LEVER.....	20
THROTTLE LEVER.....	21
V BELT & PULLEY.....	22
AUGA DRIVE & IMPELLER.....	23
AUGA DRIVEN.....	24
TRANSMISSION 1.....	26
TRANSMISSION 2.....	28
TRACK & SPROCKET WHEEL.....	29
TILT AUGA SYSTEM.....	30
GENERATOR.....	31
STARTING MOTOR.....	32
HEADLIGHT.....	33
ELECTRICAL 1.....	34
EMBLEM & LABEL 1.....	35

INDEX

NUMERICAL INDEX.....	36
----------------------	----

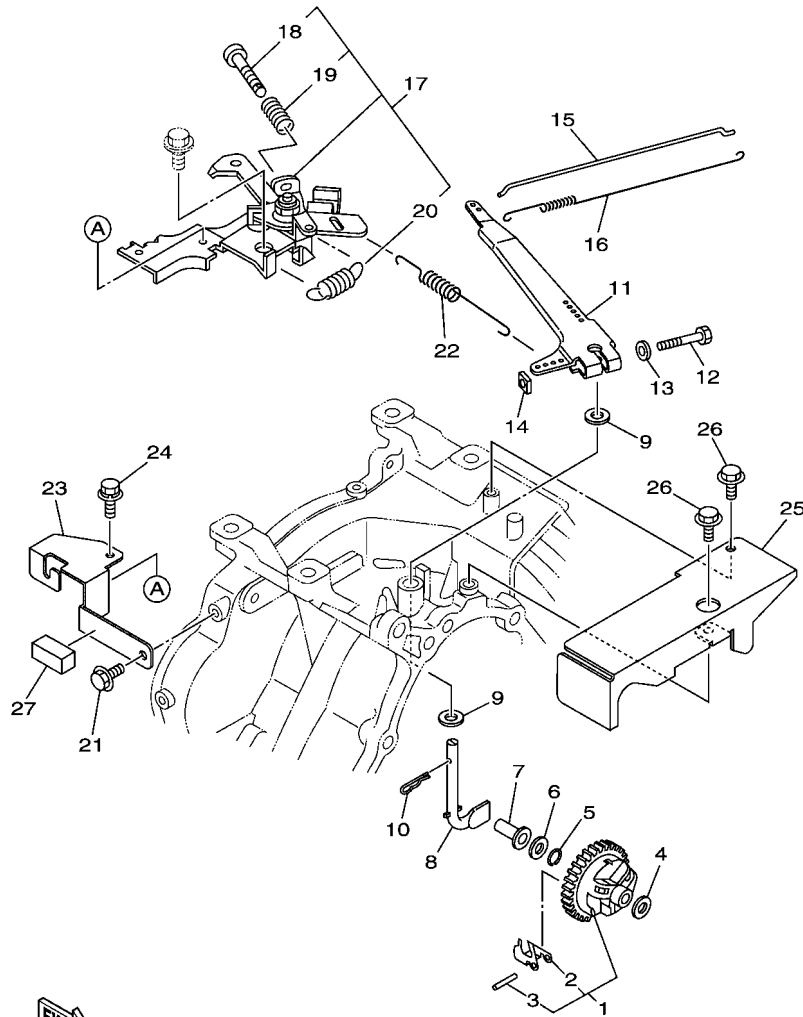
FIG. 1 CYLINDER HEAD



REF. NO.	PART NO.	DESCRIPTION	7RW5				REMARKS
1	7VB-E1111-02	HEAD, CYLINDER 1	1				
2	7VB-E1181-01	GASKET, CYLINDER HEAD 1	1				
3	95812-10070	BOLT, FLANGE	5				
4	99530-14016	PIN, DOWEL	2				
5	95622-08618	BOLT, STUD	2				
6	94702-00331	PLUG, SPARK (NGK BPR4ES)	1				
7	7VB-E1190-00	COVER, CYLINDER HEAD 1	1				
8	7VB-E1193-01	GASKET, HEAD COVER 1	1				
9	95822-06030	BOLT, FLANGE	4				
10	7VC-E1166-T0	PIPE, BREATHER 1	1				
11	90116-06821	BOLT, STUD	2				

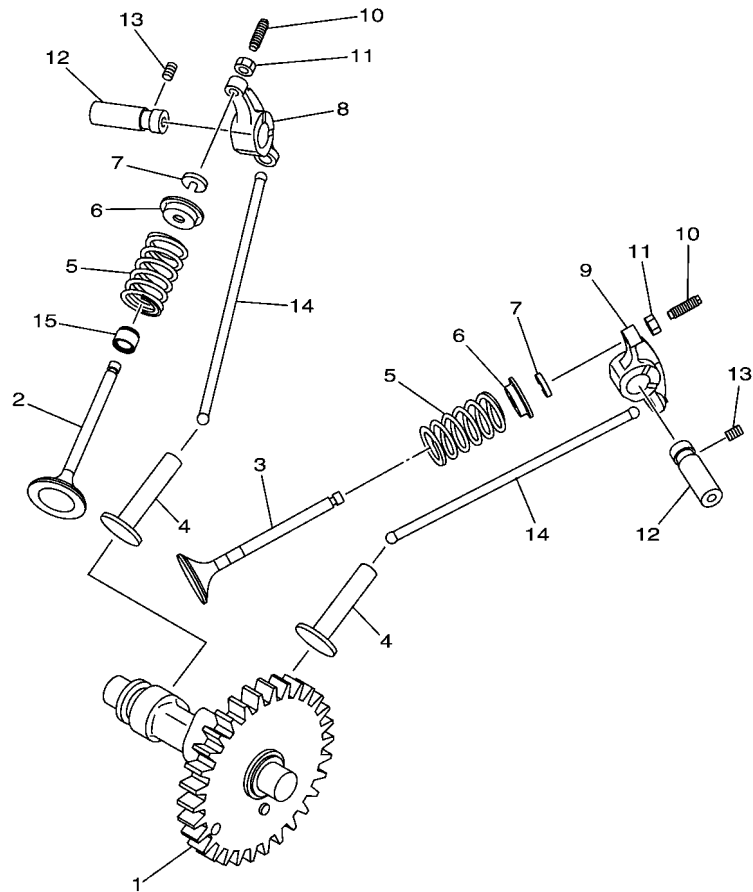

7RW4010-N010

FIG. 3 GOVERNOR




7RW5010-R030

REF. NO.	PART NO.	DESCRIPTION	7RW5	REMARKS
1	7CT-E1970-10	FLYWEIGHT SHAFT ASSY	1	
2	7CT-E1913-00	.WEIGHT	3	
3	7CT-E1914-00	.SHAFT, WEIGHT	3	
4	90201-06842	WASHER, PLATE	1	
5	93440-06826	CIRCLIP	1	
6	90201-067L0	WASHER, PLATE	1	
7	7CT-E1917-00	COLLAR	1	
8	7VB-E1922-00	FORK, GOVERNOR	1	
9	90201-08858	WASHER, PLATE	2	
10	90468-18800	CLIP	1	
11	7VB-E1924-00	ARM, GOVERNOR	1	
12	97022-06030	BOLT, HEXAGON	1	
13	92902-06600	WASHER, PLATE	1	
14	90173-06802	NUT, SQUARE	1	
15	7VB-E1928-00	ROD, LINK	1	
16	90506-04802	SPRING, TENSION	1	
17	7VC-G1240-S1	THROTTLE LEVER COMP.	1	
18	7CN-E4922-02	.SCREW, THROTTLE	1	
19	90501-090A8	.SPRING, COMPRESSION	1	
20	90506-07412	.SPRING, TENSION	1	
21	95802-06012	BOLT, FLANGE	1	
22	7VC-E1925-S1	SPRING, GOVERNOR	1	
23	7VC-F637G-S0	HOLDER, WIRE	1	
24	97522-05514	BOLT, WITH WASHER	1	
25	7VC-E479H-T0	COVER, 1	1	
26	95822-06012	BOLT, FLANGE	2	
27	7RW-R1791-00	DAMPER	1	

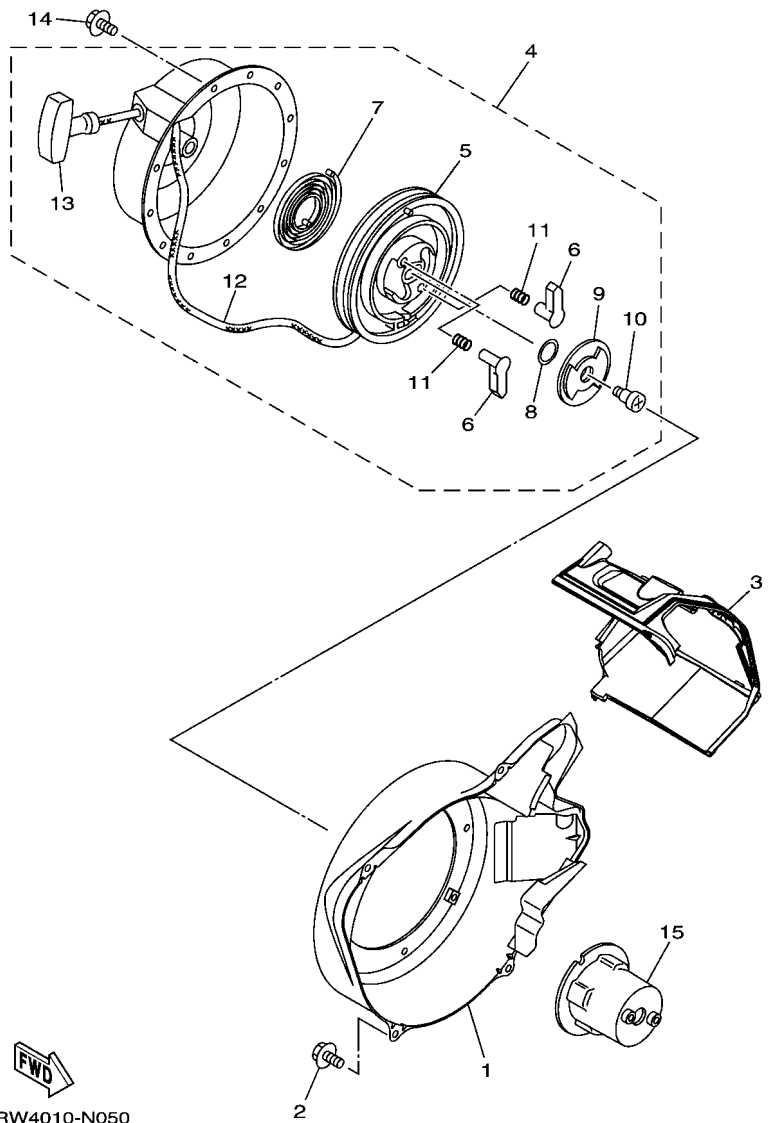


7RW4010-N040

FIG. 4 CAMSHAFT & VALVE

REF. NO.	PART NO.	DESCRIPTION	7RW5				REMARKS
1	7CR-E2170-00	CAMSHAFT ASSY 1	1				
2	7VB-E2111-00	VALVE, INTAKE	1				
3	7VB-E2121-00	VALVE, EXHAUST	1				
4	7VB-E2153-00	LIFTER, VALVE	2				
5	90501-264A9	SPRING, COMPRESSION	2				
6	7CT-E2117-00	RETAINER, VALVE SPRING	2				
7	7CT-E2118-00	LOCK, VALVE SPRING RETAINER	2				
8	7VB-E2151-00	ARM, VALVE ROCKER	1				
9	7VB-E2161-00	ARM, VALVE ROCKER 2	1				
10	7CT-E2159-00	SCREW, VALVE ADJUSTING	2				
11	90170-05806	NUT	2				
12	7VB-E2156-00	SHAFT, ROCKER 2	2				
13	90113-05800	BOLT, SET	2				
14	7VB-E2154-00	ROD, VALVE PUSH	2				
15	7CT-E2119-00	SEAL, VALVE STEM	1				

FIG. 5 AIR SHROUD & STARTER




7RW4010-N050

REF. NO.	PART NO.	DESCRIPTION	7RW5				REMARKS
1	7VC-E2621-T0	CASE, FAN	1				
2	95802-06012	BOLT, FLANGE	4				
3	7VB-E2651-00	AIR SHROUD, CYLINDER 1	1				
4	7CT-E5710-S1	STARTER ASSY	1				
5	7CT-E5714-00	.DRUM, SHEAVE	1				
6	7CT-E5741-00	.PAWL, DRIVE	2				
7	7CT-E5713-00	.SPRING, STARTER	1				
8	7CN-E5715-00	.SPRING, FRICTION	1				
9	7CT-E5716-00	.PLATE, DRIVE	1				
10	7CN-E5793-00	.SCREW	1				
11	7CN-E5743-00	.SPRING, RETURN	2				
12	7CT-E5751-S0	.WIRE, STARTER	1				
13	7CN-E5755-00	.HANDLE, STARTER	1				
14	95802-06008	BOLT, FLANGE	3				
15	7VC-E5723-T0	PULLEY, STARTER	1				

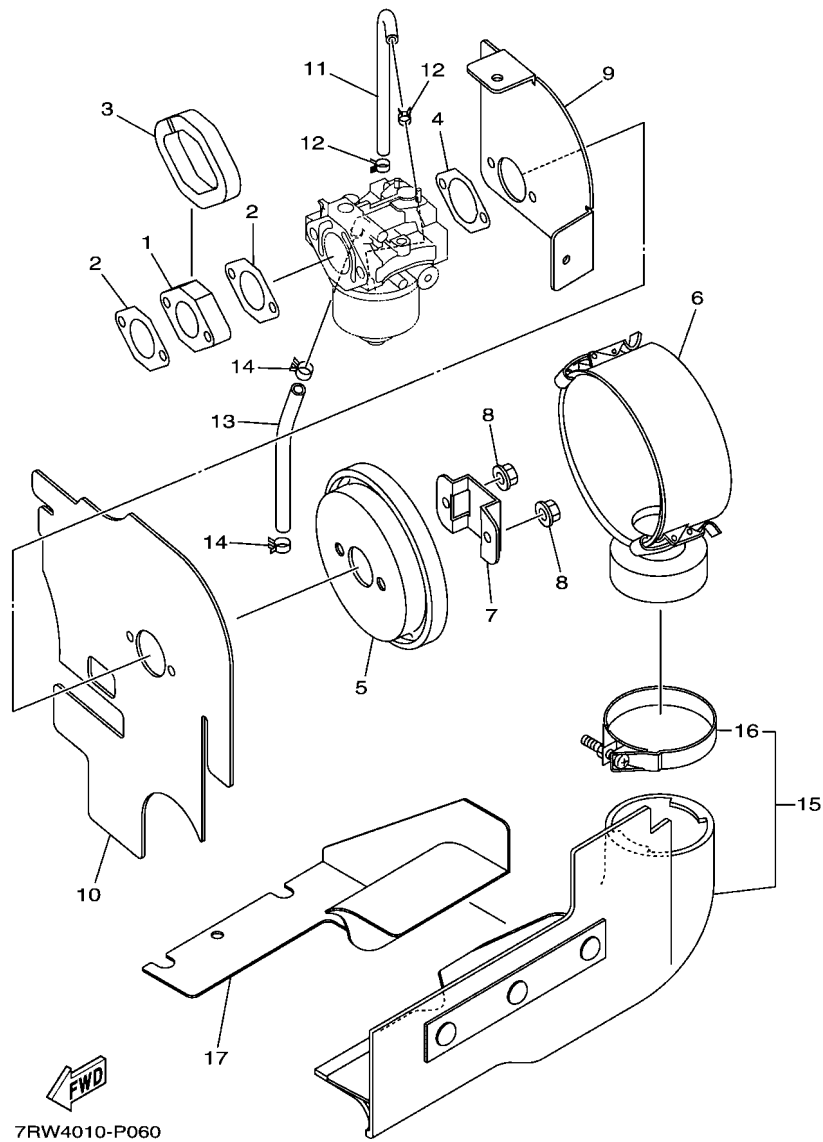
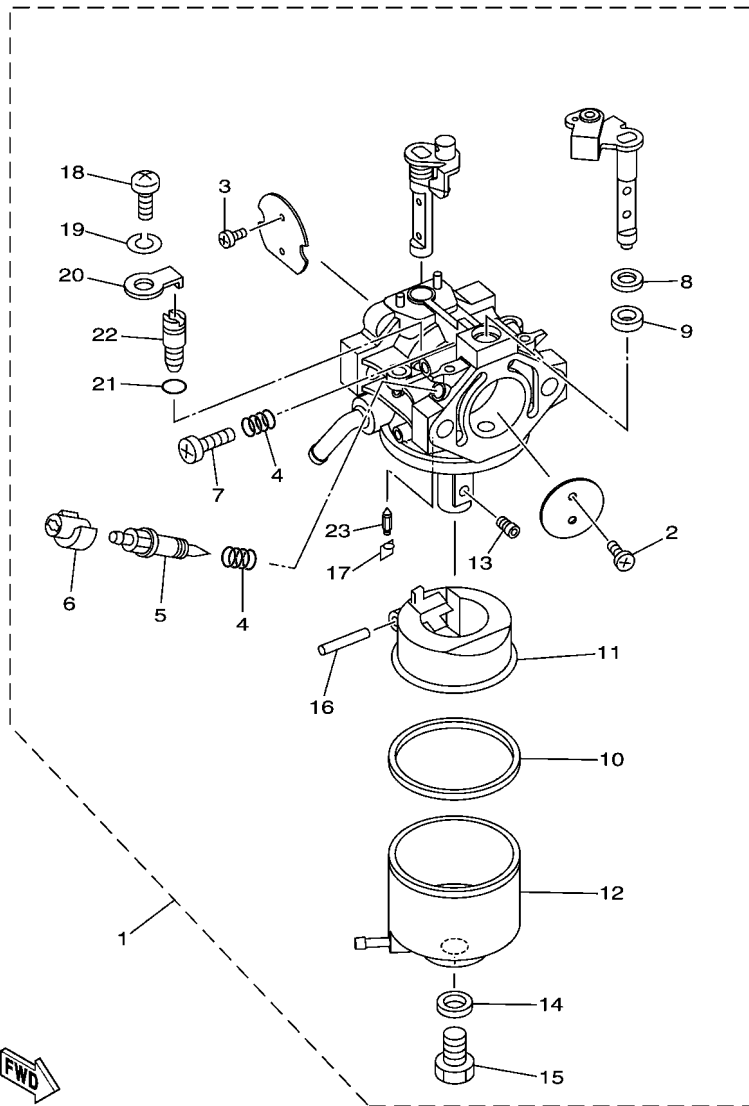


FIG. 6 INTAKE

REF. NO.	PART NO.	DESCRIPTION	7RW5				REMARKS
1	7VC-E3596-T0	JOINT, CARBURETOR 2	1				
2	7VC-E3557-T0	GASKET	2				
3	90520-10821	DAMPER, PLATE	1				
4	7VB-E3567-00	GASKET	1				
5	7VC-E4411-T0	CASE, AIR CLEANER 1	1				
6	7VC-E4412-T0	CAP, CLEANER CASE 1	1				
7	7VC-E4468-T2	PLATE,ELEMENT FITTING	1				
8	95702-06500	NUT, FLANGE	2				
9	7VC-E4280-U0	COVER, CARBURETOR	1				
10	7VC-E3567-T0	GASKET	1				
11	7VC-F4312-T0	PIPE 2	1				
12	90467-09806	CLIP	2				
13	7VC-F4313-T0	PIPE 3	1				
14	90467-07093	CLIP	2				
15	7RW-14430-00	DUCT ASSY	1				
16	90460-71017	.CLAMP, HOSE	1				
17	7RW-R1387-00	STAY	1				

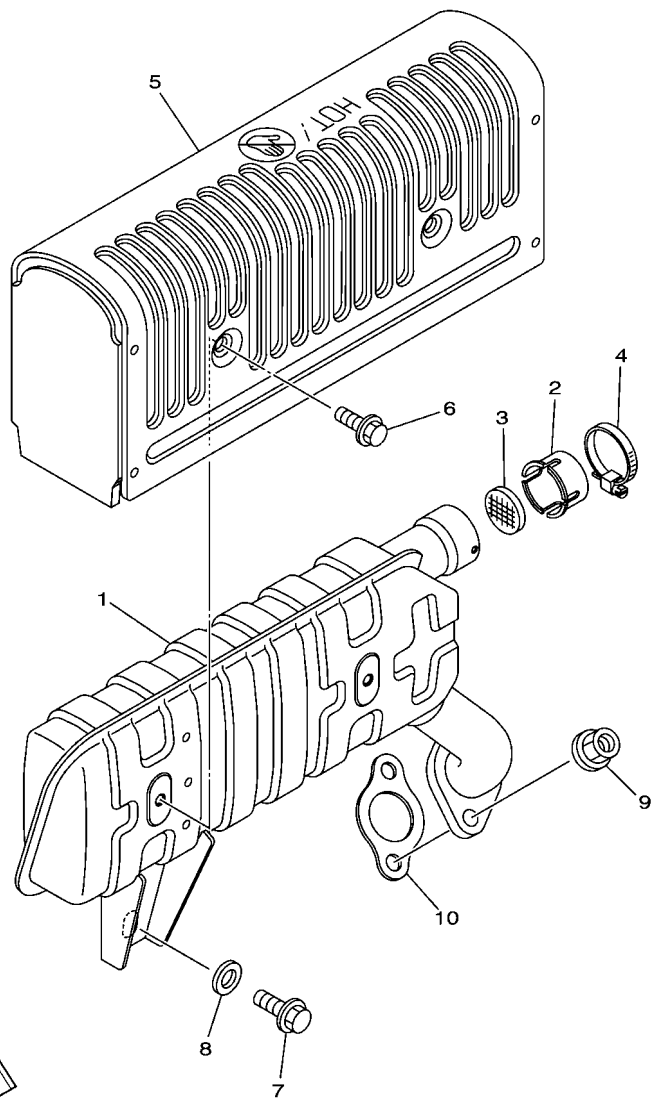
FIG. 7 CARBURETOR



7RW4010-N070

REF. NO.	PART NO.	DESCRIPTION	7RW5				REMARKS
1	7VC-E4101-T0	CARBURETOR ASSY 1	1				
2	7RH-14216-00	.SCREW	2				
3	7RA-14486-00	.SCREW, ROD	2				
4	73A-14212-10	.SPRING	2				
5	7NJ-14211-00	.SCREW, PILOT ADJUSTING	1				
6	7LV-14118-00	.CAP	1				
7	1WG-14922-00	.SCREW, THROTTLE	1				
8	4CW-14117-00	.WASHER, PLUG SCREW	1				
9	6K8-14597-10	.WASHER	2				
10	7CT-E4997-00	.SEAL	1				
11	JN6-14185-00	.FLOAT	1				
12	7CS-14181-00	.BODY, FLOAT CHAMBER 1	1				
13	7NN-1423E-41-A0	.JET, MAIN (#103.8)	1				
14	127-14198-00	.GASKET	1				
15	7CG-14162-00	.BOLT, HOLDING	1				
16	22F-14186-00	.PIN, FLOAT	1				
17	7EG-14159-00	.CLIP	1				
18	98507-05008	.SCREW, PAN HEAD	1				
19	92990-05100	.WASHER, SPRING	1				
20	7CU-E4527-00	.PLATE	1				
21	2H0-14147-00	.O-RING	1				
22	7CU-E4142-50-A0	.JET, PILOT (# 50)	1				
23	7CU-14150-00	.NEEDLE ASSY	1				

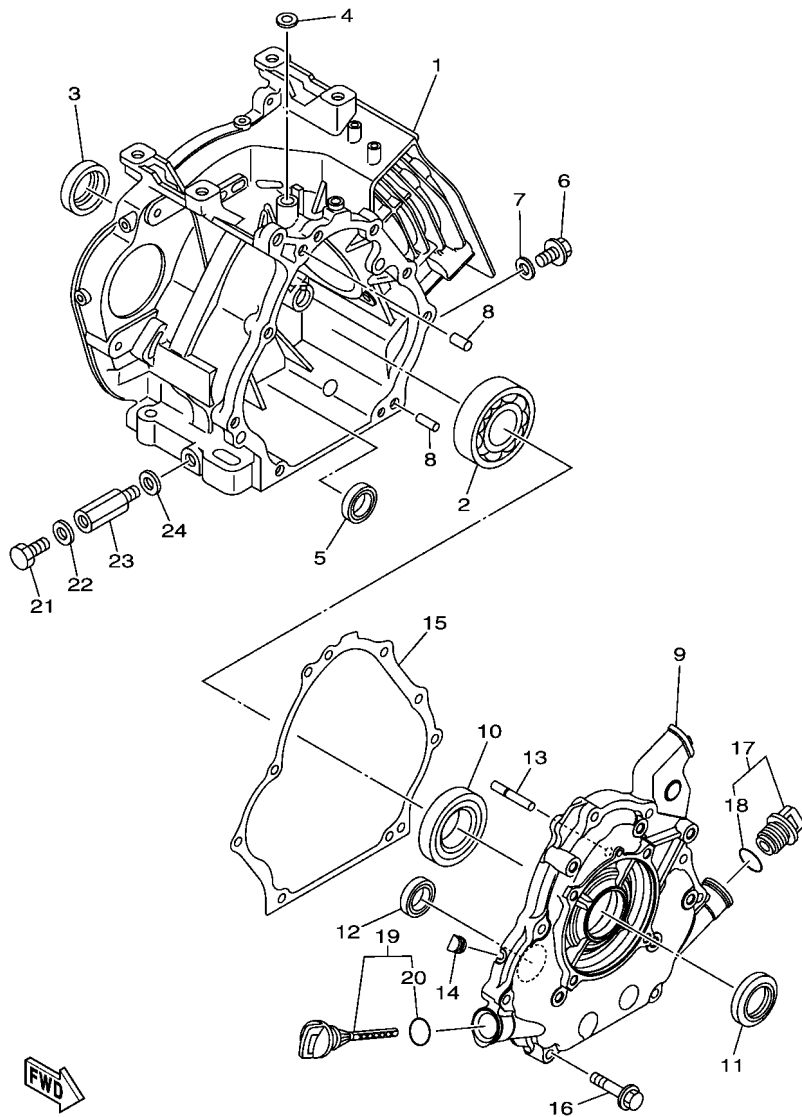
FIG. 8 EXHAUST



7RW4010-N080

REF. NO.	PART NO.	DESCRIPTION	7RW5	REMARKS
1	7VB-E4711-00	MUFFLER 1	1	
2	7CT-E4799-10	CAP	1	
3	7CT-E479E-10	NET, WIRE 2	1	
4	90460-38241	CLAMP, HOSE	1	
5	7VB-E4708-10	PROTECTOR ASSY	1	
6	95822-06008	BOLT, FLANGE	4	
7	95822-08016	BOLT, FLANGE	1	
8	90201-08856	WASHER, PLATE	1	
9	95302-08600	NUT, HEXAGON	2	
10	7VB-E4613-00	GASKET, EXHAUST PIPE	1	

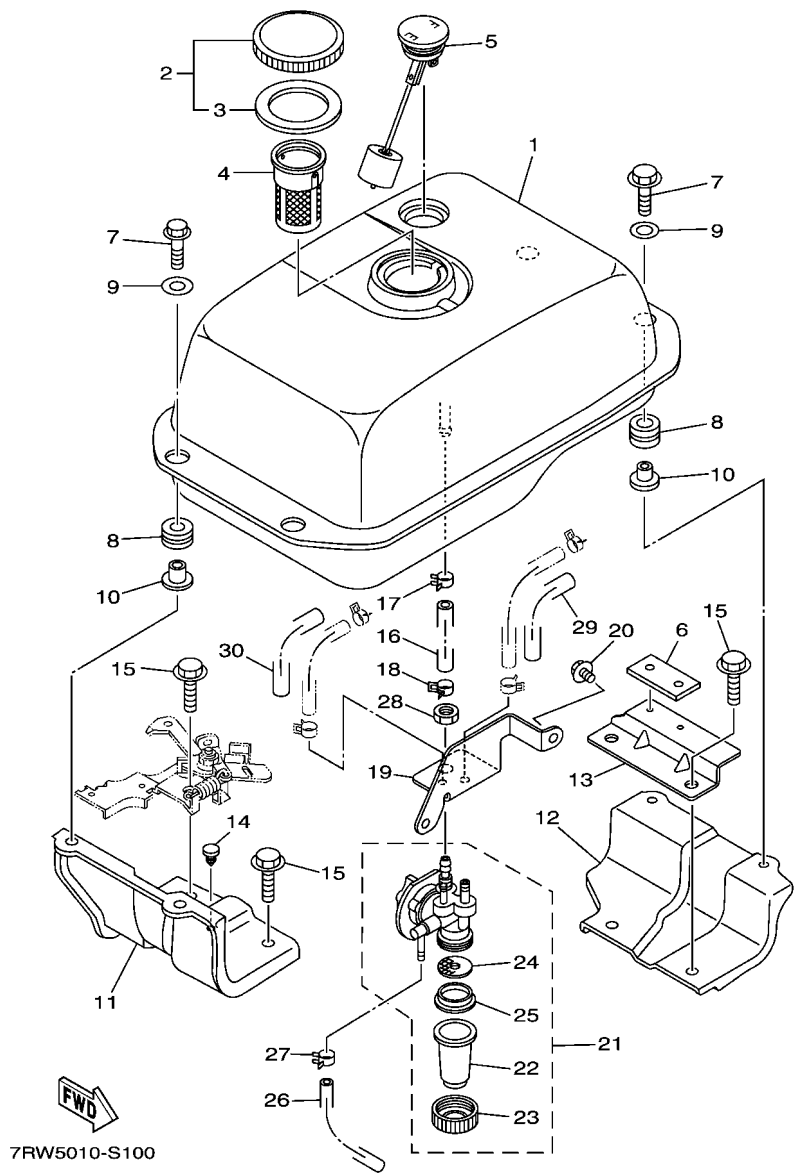
FIG. 9 CRANKCASE



7RW4010-N090

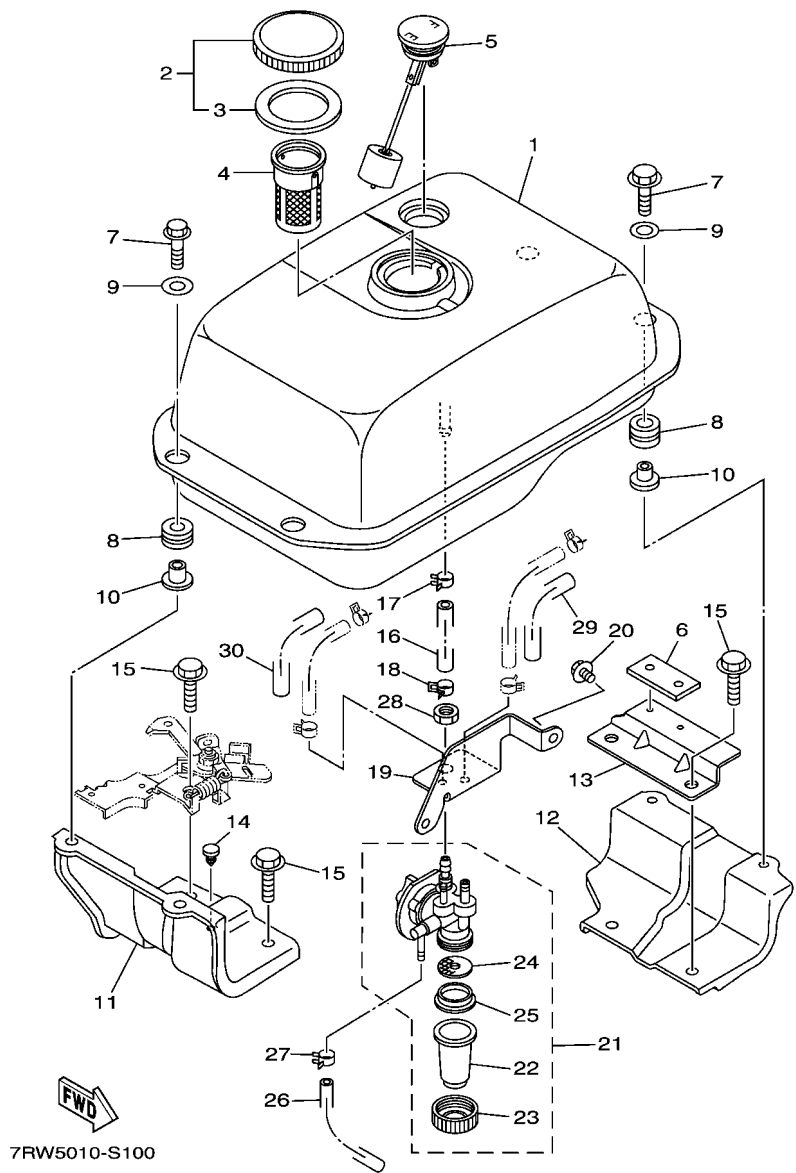
REF. NO.	PART NO.	DESCRIPTION	7RW5				REMARKS
1	7VB-E5111-11	CRANKCASE 1	1				
2	93306-207Y2	BEARING	1				
3	93102-35802	OIL SEAL	1				
4	93109-08803	OIL SEAL	1				
5	93306-252X4	BEARING	1				
6	90340-12097	PLUG, STRAIGHT SCREW	1				
7	7CT-E1198-00	GASKET	1				
8	99530-08016	PIN, DOWEL	2				
9	7VC-E5411-S0	COVER, CRANKCASE 1	1				
10	93306-206Y5	BEARING	1				
11	93102-30801	OIL SEAL	1				
12	93306-201YJ	BEARING	1				
13	7CT-E1971-00	SHAFT, FLYWEIGHT	1				
14	90338-06800	PLUG	1				
15	7VB-E5451-00	GASKET, CRANKCASE COVER 1	1				
16	95812-08040	BOLT, FLANGE	8				
17	7BX-E536A-20	PLUG, OIL LEVEL	1				
18	93210-22805	.O-RING	1				
19	7VB-E536A-00	PLUG, OIL LEVEL	1				
20	93210-22805	.O-RING	1				
21	97002-10014	BOLT	1				
22	90430-10171	GASKET	1				
23	7RY-15351-00	PLUG, DRAIN	1				
24	812-11198-00	GASKET	1				

FIG. 10 FUEL TANK



REF. NO.	PART NO.	DESCRIPTION	7RW5				REMARKS
1	7VC-F4110-U0	FUEL TANK COMP.	1				
2	7CN-F4610-01	CAP ASSY	1				
3	7CN-F4612-01	.PACKING, CAP	1				
4	7CN-F4167-00	STRAINER	1				
5	7DF-H5710-00	FUEL LEVEL GAUGE ASSY	1				
6	7VB-F4181-00	DAMPER, LOCATING 1	1				
7	7CT-F4176-00	BOLT 1	4				
8	90480-15235	GROMMET	4				
9	90201-06085	WASHER, PLATE	4				
10	90387-068K8	COLLAR	4				
11	7VB-F4115-00	STAY, FUEL TANK 1	1				
12	7VB-F4116-01	STAY, FUEL TANK 2	1				
13	7VB-F4117-00	STAY, FUEL TANK 3	1				
14	90338-05800	PLUG	1				
15	95812-08020	BOLT, FLANGE	4				
16	7VC-F4311-T0	PIPE, FUEL 1	1				
17	90467-09806	CLIP	1				
18	90467-11108	CLIP	1				
19	7RW-F4544-00	BRACKET, FUEL COCK	1				
20	95802-06012	BOLT, FLANGE	2				
21	7RJ-24500-T1	FUEL COCK ASSY 1	1				
22	7KA-24521-00	.CUP, FILTER	1				
23	7G5-24531-00	.NUT	1				
24	7T0-24515-00	.NET, FILTER 2	1				
25	7T0-24565-00	.GASKET	1				
26	90445-10008	HOSE (L150)	1				
27	90467-09037	CLIP	1				

FIG. 10 FUEL TANK



REF. NO.	PART NO.	DESCRIPTION	7RW5				REMARKS
28	90170-10038	NUT	1				
29	90445-14020	HOSE (L65)	1				
30	90445-14020	HOSE (L65)	1				

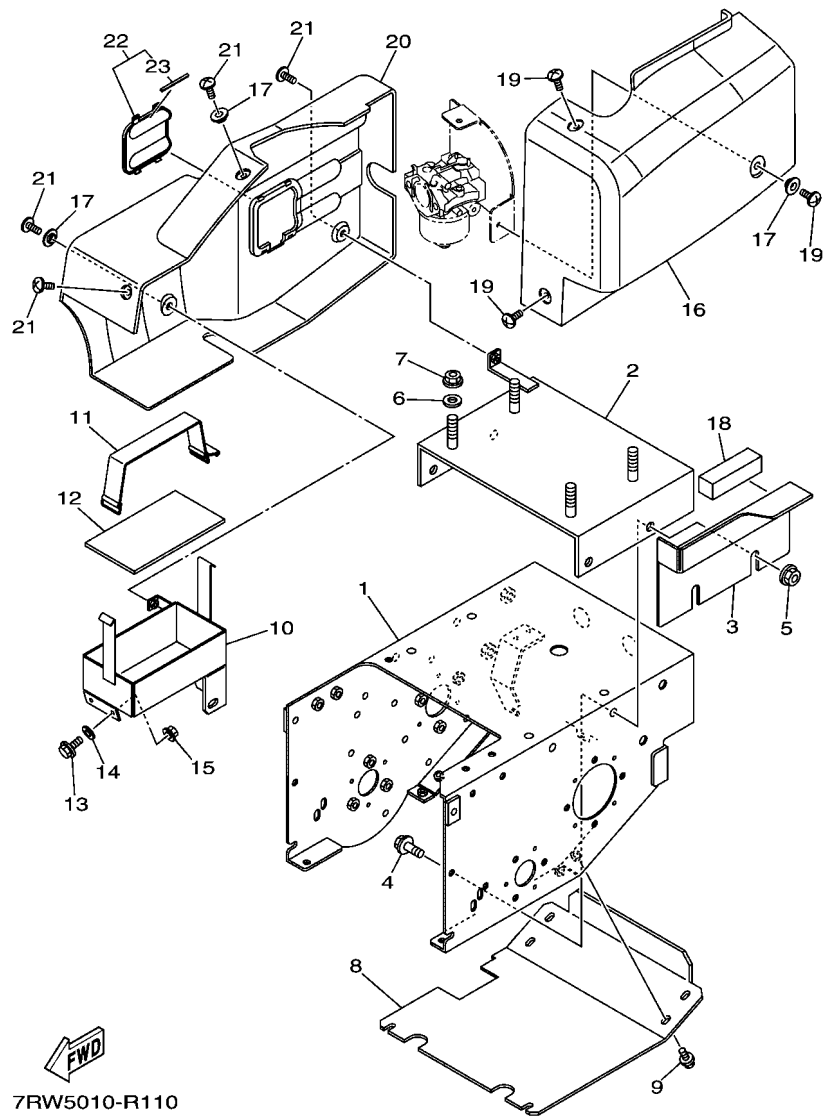


FIG. 11 FRAME

REF. NO.	PART NO.	DESCRIPTION	7RW5	REMARKS
1	7RW-R1530-03-NJ	FRAME COMP.	1	FOR FWB
2	7RW-E1011-20-NJ	BRACKET, ENGINE 1	1	FOR FWB
3	7RW-F1711-10-NJ	COVER, SIDE 1	1	FOR FWB
4	95822-10020	BOLT, FLANGE	4	
5	95702-10500	NUT, FLANGE	4	
6	92902-10200	WASHER	4	
7	95702-10500	NUT, FLANGE	4	
8	7RV-R1565-03-NJ	PLATE 1	1	FOR FWB
9	95822-06012	BOLT, FLANGE	4	
10	7RW-H2154-10	CASE	1	
11	26H-82131-00	BAND, BATTERY	1	
12	7RW-H2122-00	SEAT, BATTERY	1	
13	95822-06012	BOLT, FLANGE	2	
14	92902-06200	WASHER	2	
15	95702-06500	NUT, FLANGE	2	
16	7RW-R1553-00	COVER	1	
17	7RW-R1188-00	COLLAR, DISTANCE	3	
18	90520-30802	DAMPER, PLATE	1	
19	90146-06020	SCREW, OVAL FILLISTER	3	
20	7RW-H2129-00	COVER, BATTERY	1	
21	90146-06020	SCREW, OVAL FILLISTER	4	
22	7T0-F28H0-00	COVER ASSY 8	1	
23	7T0-E442G-00	.DAMPER 3	1	

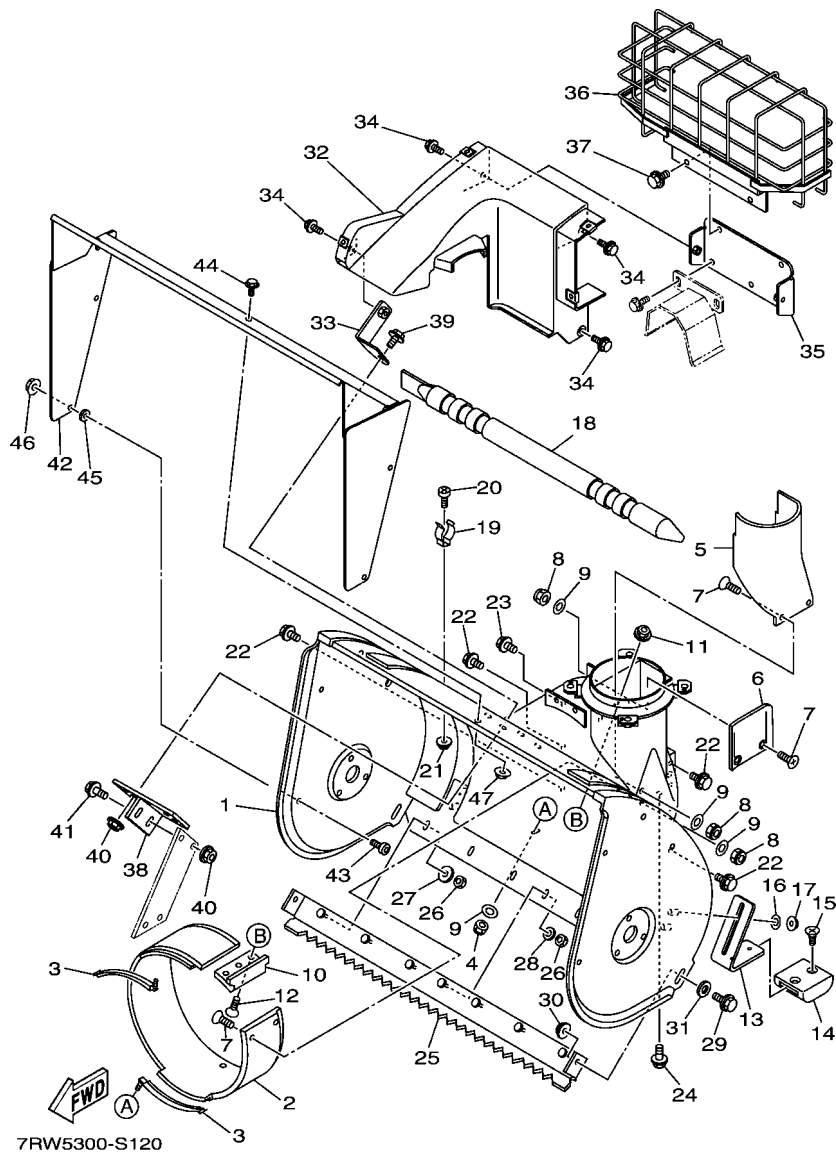


FIG. 12 AUGA CASE

REF. NO.	PART NO.	DESCRIPTION	7RW5		REMARKS
1	7RW-R1511-20-NJ	HOUSING, AUGER	1		FOR FWB
2	7RW-R1312-01	HOUSING, IMPELLER	1		
3	7RW-R1342-00-NJ	BRACKET 2	2		FOR FWB
4	95602-06100	NUT, S/L	2		
5	7RW-R1315-01	DUCT, IMPELLER	1		
6	7RW-R1345-01	PLATE 1	1		
7	7VY-R169F-01	SCREW, SPECIAL	6		
8	95602-06100	NUT, S/L	6		
9	92902-06200	WASHER	8		
10	7RW-R1341-02-NJ	BRACKET 1	1		FOR FWB
11	95702-06500	NUT, FLANGE	3		
12	98702-06016	SCREW, FLAT HEAD	3		
13	7T0-R1515-00	STAY, SKID 1	2		
14	7T0-R1517-10	SKID	2		
15	7T0-R169F-00	SCREW, SPECIAL	4		
16	7RV-R234R-00	WASHER, SPECIAL 1	4		
17	95702-08500	NUT, FLANGE	4		
18	7KA-52516-00	BAR	1		
19	90465-10319	CLAMP	2		
20	98502-05010	SCREW, PAN HEAD	2		
21	95702-05500	NUT, FLANGE	2		
22	95822-08012	BOLT, FLANGE	5		
23	95822-08020	BOLT, FLANGE	1		
24	95822-06012	BOLT, FLANGE	2		
25	7RW-R1514-10	SCRAPER	1		
26	95602-06100	NUT, S/L	7		
27	7RV-R234V-00	WASHER, SPECIAL 2	6		

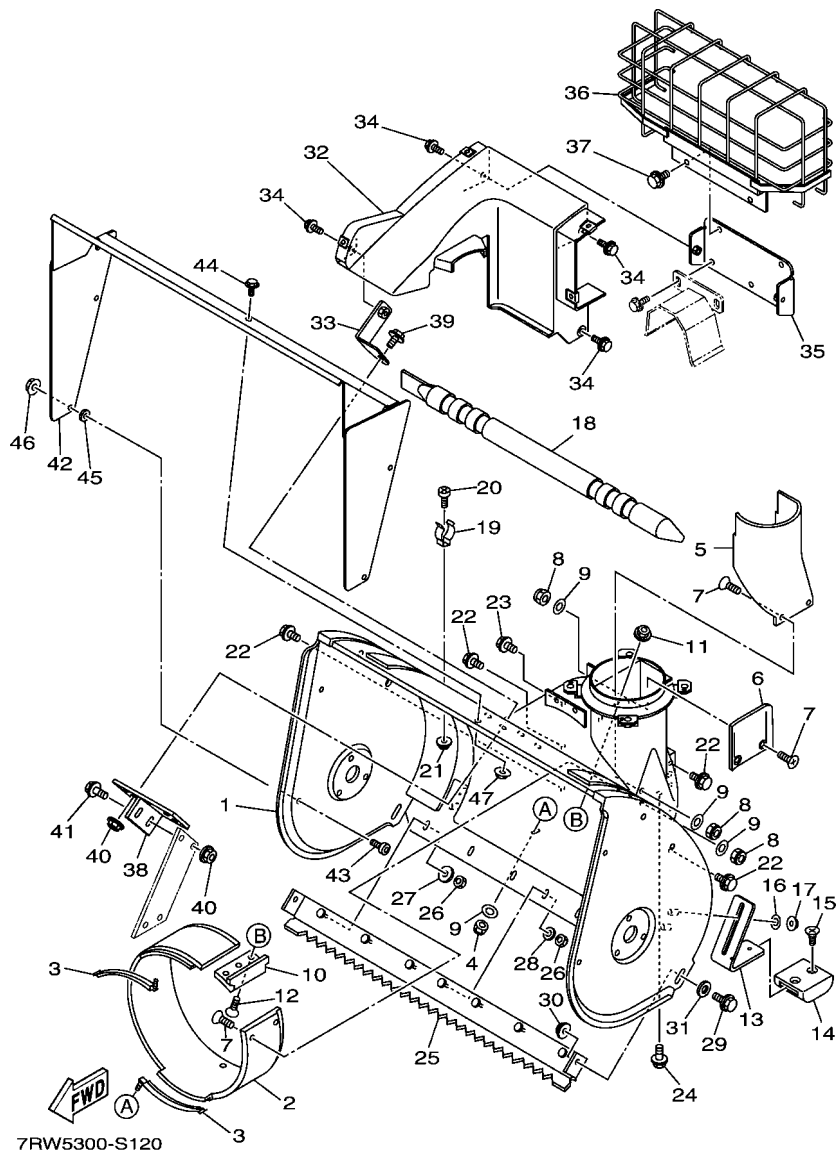
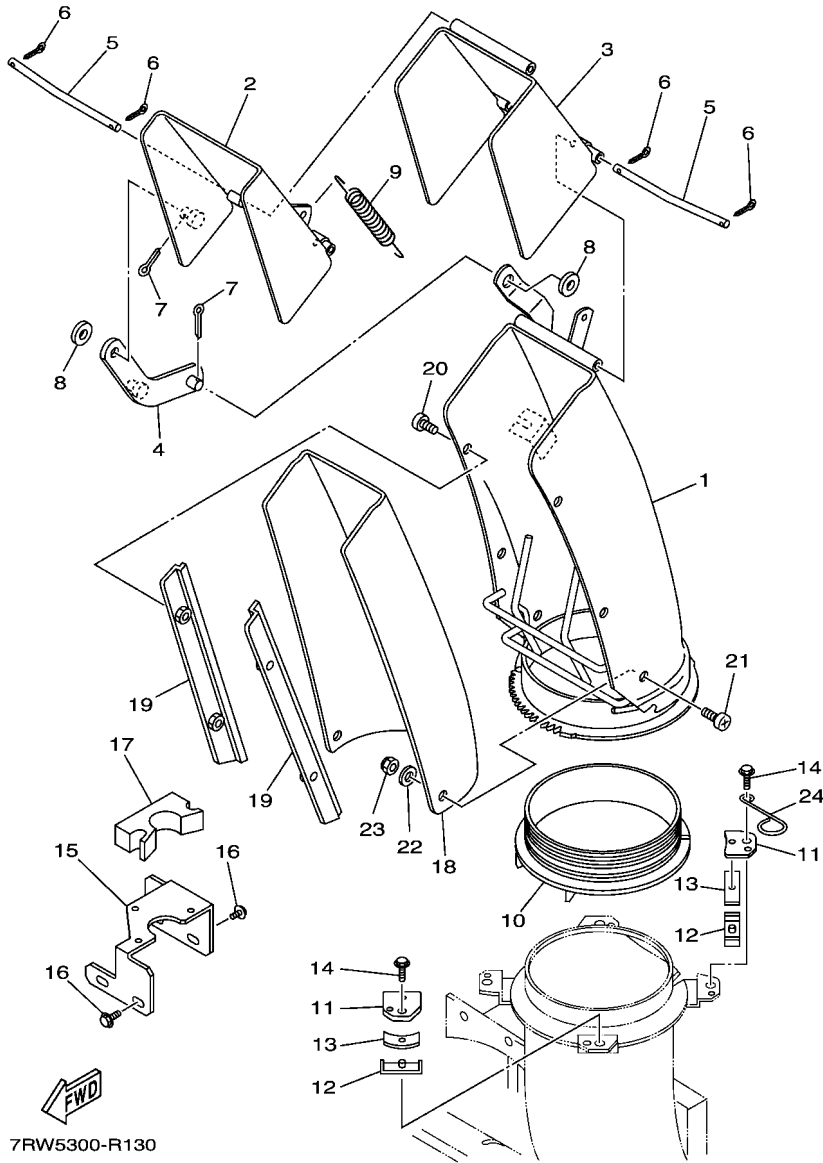


FIG. 12 AUGA CASE

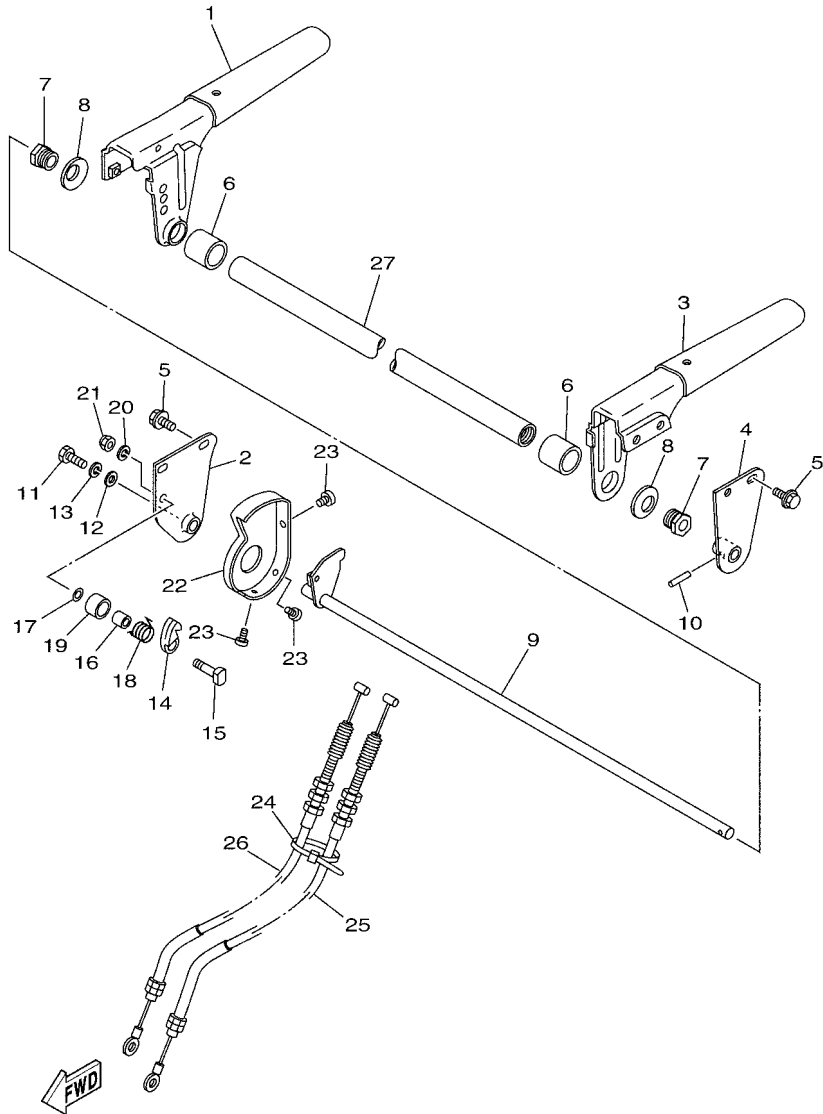
REF. NO.	PART NO.	DESCRIPTION	7RW5	REMARKS
28	7RV-R159N-00	WASHER, SPECIAL 2	1	
29	95822-08020	BOLT, FLANGE	2	
30	95702-08500	NUT, FLANGE	2	
31	7RV-R234R-00	WASHER, SPECIAL 1	2	
32	7RW-R1745-00	COVER 1	1	
33	7RW-R1537-00	BRACKET 3	1	
34	90109-06190	BOLT	4	
35	7RW-R1539-10	BRACKET 5	1	
36	7RW-F194H-10	PROTECTOR, MUFFLER	1	
37	95822-06012	BOLT, FLANGE	2	
38	7RV-R1518-00-NJ	BRACKET 1	1	FOR FWB
39	95822-08016	BOLT, FLANGE	4	
40	95702-08500	NUT, FLANGE	6	
41	95822-08020	BOLT, FLANGE	2	
42	7XE-R1553-00-33	COVER	1	YB FOR FWB
43	7RV-R236L-00	BOLT, SPECIAL 1	4	
44	95822-06012	BOLT, FLANGE	1	
45	7XE-R2458-00	COLLAR 1	4	
46	95702-08500	NUT, FLANGE	4	
47	95702-06500	NUT, FLANGE	1	



7RW5300-R130

FIG. 13 SCHUTE & SCHUTE CONTROL

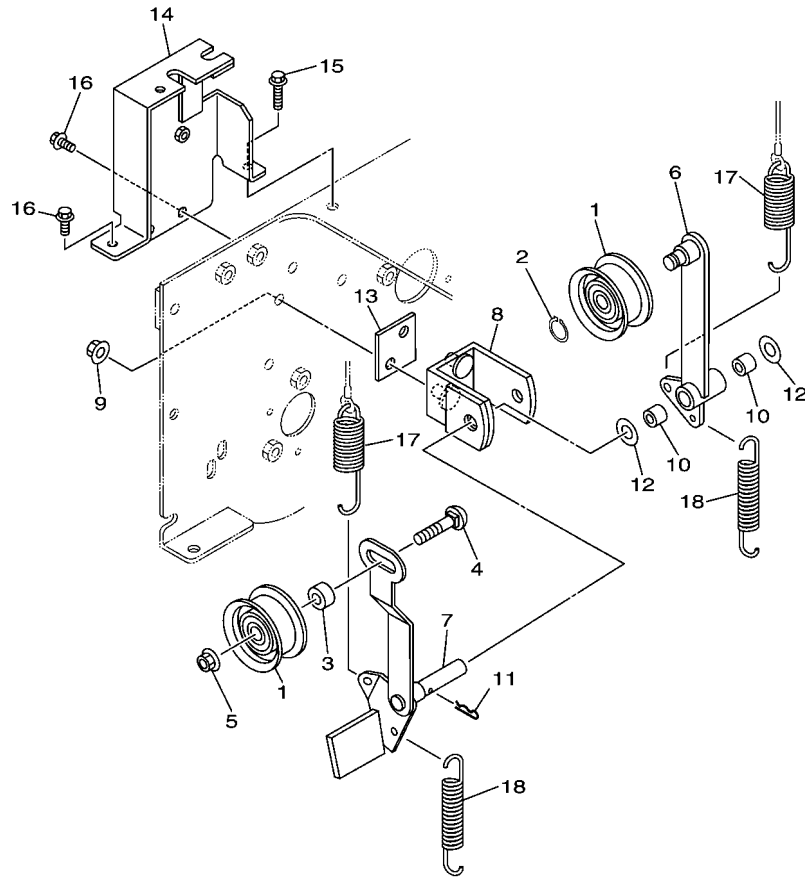
REF. NO.	PART NO.	DESCRIPTION	7RW5	REMARKS
1	7RW-R1710-20-NJ	CHUTE COMP.	1	FOR FWB
2	7RW-R1718-00-NJ	DEFLECTOR	1	FOR FWB
3	7RW-R171A-00-NJ	DEFLECTOR 2	1	FOR FWB
4	7RW-R1716-00	ARM 1	1	
5	7RW-R1713-01	ROD, LINKAGE	2	
6	91402-20015	PIN, COTTER	4	
7	91402-30020	PIN, COTTER	2	
8	92902-10200	WASHER	2	
9	7VY-R1721-00	SPRING, DEFLECTOR	1	
10	7Y6-51732-02	BUSH, RING GEAR	1	
11	7KA-51733-00	HOLDER, CHUTE	4	
12	7KA-51739-00	BUSH, HOLDER	4	
13	7KA-51741-00	SPRING, HOLDER	4	
14	95822-06016	BOLT, FLANGE	4	
15	7RV-H1823-01-NJ	STAY, STARTING MOTOR	1	FOR FWB
16	95822-06012	BOLT, FLANGE	4	
17	7RV-H183R-00	COVER, GEAR	1	
18	7RW-R1715-01	CHUTE 1	1	
19	7RW-R1733-00-NJ	HOLDER, CHUTE	2	FOR FWB
20	98902-06008	SCREW, BIND	4	
21	98902-06014	SCREW, BIND	2	
22	7RV-R234V-00	WASHER, SPECIAL 2	2	
23	95602-06100	NUT, S/L	2	
24	7RW-F8463-00	HOOK, WIRE	1	



7RW5010-S150

FIG. 15 CLUTCH LEVER

REF. NO.	PART NO.	DESCRIPTION	7RW5				REMARKS
1	7KA-52651-01	LEVER, CLUTCH RIGHT 1	1				
2	7Y6-52652-02	LEVER, CLUTCH RIGHT 2	1				
3	7KA-52653-01	LEVER, CLUTCH LEFT 1	1				
4	7KA-52654-02	LEVER, CLUTCH LEFT 2	1				
5	95802-06010	BOLT, FLANGE	4				
6	90445-26006	HOSE	2				
7	7Y6-52658-01	BOLT, HANDLE	2				
8	7GA-F581R-00	WASHER, CONICAL SPRING	2				
9	7KA-52666-01	SHAFT, CLUTCH LEVER	1				
10	91609-40022	PIN, SPRING	1				
11	97002-08016	BOLT	1				
12	92902-08200	WASHER	1				
13	92902-08100	WASHER, SPRING	1				
14	7Y6-52661-01	CAM, RATCHET	1				
15	7Y6-52657-01	BOLT, RATCHET	1				
16	90387-081M9	COLLAR	1				
17	90201-060K5	WASHER, PLATE	1				
18	7Y6-52663-01	SPRING, RATCHET	1				
19	90387-113K4	COLLAR	1				
20	92902-06100	WASHER, SPRING	1				
21	95302-06800	NUT, CROWN	1				
22	7KA-52665-01	COVER, RATCHET	1				
23	98502-04008	SCREW, PAN HEAD	3				
24	7RV-F1646-00	BAND	3				
25	7RW-52631-21	CABLE, CONTROL 1	1				
26	7RW-52633-21	CABLE, CONTROL	1				
27	7RW-R266A-00	SHAFT 1	1				



7RW2010-9160

FIG. 16 CLUTCH

REF. NO.	PART NO.	DESCRIPTION	7RW5				REMARKS
1	75H-G6218-00	IDLER	2				
2	99009-10400	CIRCLIP	1				
3	7RV-G6258-00	COLLAR, ROLLER	1				
4	7RV-R159J-00	BOLT, SPECIAL 1	1				
5	95702-08500	NUT, FLANGE	1				
6	7RW-G6267-01-33	ARM 2	1				YB FOR FWB
7	7RW-G6266-01	ARM 1	1				
8	7RV-G6295-02	BRACKET,ARM	1				
9	95702-06500	NUT, FLANGE	2				
10	7KW-R2518-00	BUSH	2				
11	7U7-F311F-00	SNAP, PIN	1				
12	92902-10200	WASHER	2				
13	7RV-G6336-00-NJ	PLATE 1	1				FOR FWB
14	7RW-G6554-00-NJ	BRACKET 1	1				FOR FWB
15	95822-06016	BOLT, FLANGE	1				
16	95822-06012	BOLT, FLANGE	3				
17	7GA-G5716-00	SPRING, CLUTCH	2				
18	7KA-46277-00	SPRING, RETURN	2				

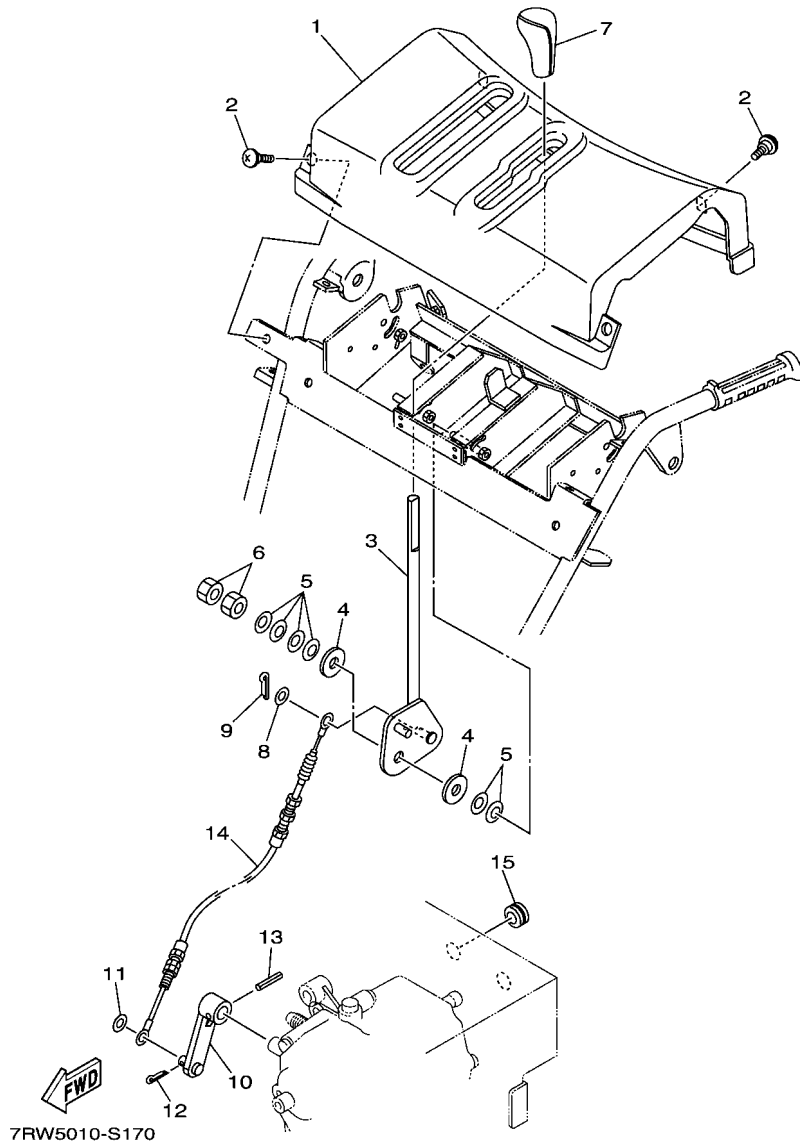


FIG. 17 CONTROL BOX

REF. NO.	PART NO.	DESCRIPTION	7RW5				REMARKS
1	7T0-R2721-00	COVER, TOP	1				
2	90149-06263	SCREW	4				
3	7RW-R2622-10	LEVER, CONTROL 2	1				
4	7RV-R234X-00	WASHER, SPECIAL 3	2				
5	7RV-F581R-00	WASHER, CONICAL SPRING	6				
6	95302-10600	NUT, HEXAGON	2				
7	7T0-R2625-00	KNOB	1				
8	92902-06200	WASHER	1				
9	91402-20015	PIN, COTTER	1				
10	7RV-R2551-02	ARM, CONTROL	1				
11	92902-06200	WASHER	1				
12	91402-20015	PIN, COTTER	1				
13	91609-40025	PIN, SPRING	1				
14	7RV-46371-30	WIRE, SHIFT	1				
15	7RV-R1973-00	GROMMET	1				

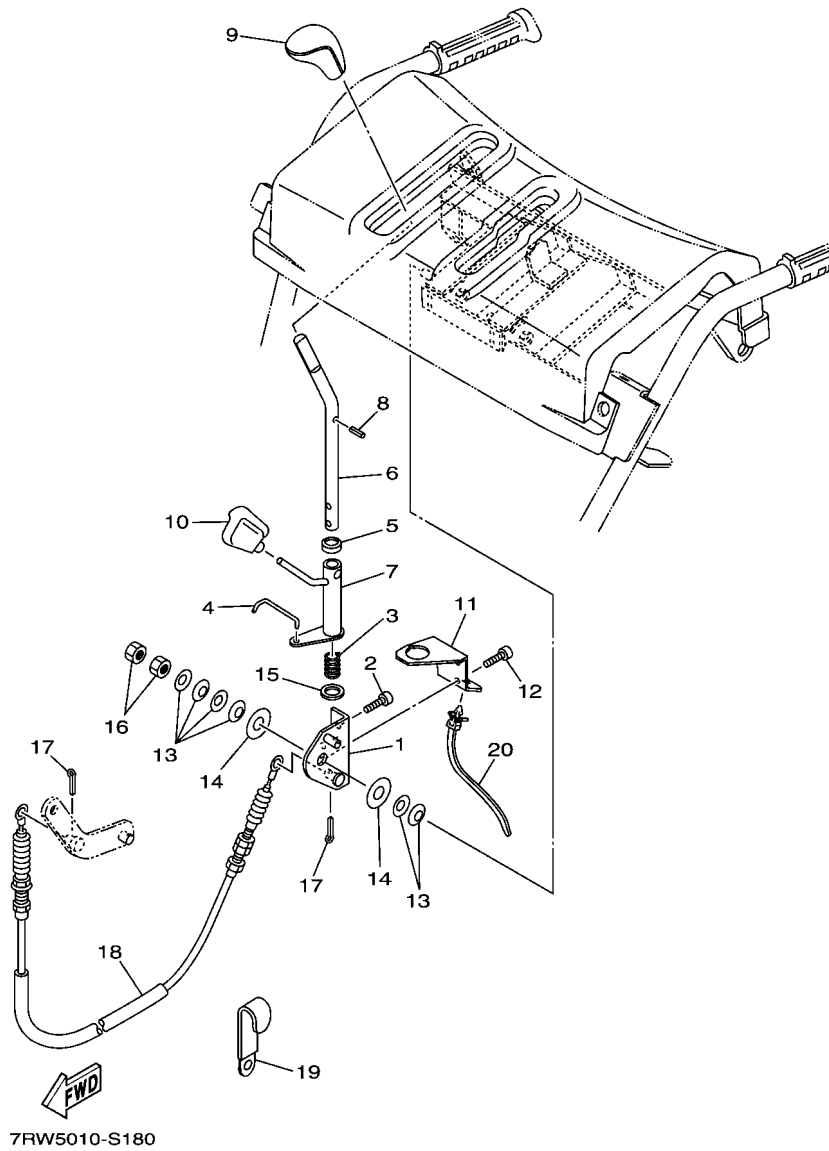


FIG. 18 SCHUTE CONTROL LEVER

REF. NO.	PART NO.	DESCRIPTION	7RW5	REMARKS
1	7RW-R265A-10	PLATE	1	
2	91318-05020	BOLT	2	
3	7RX-R2627-00	SPRING, LEVER	1	
4	7RW-R262A-00	ROD	1	
5	7RX-51133-01	SEAL, SHAFT	1	
6	7RW-R235A-10	LEVER 1	1	
7	7VY-R241T-10	LEVER 2	1	
8	91609-40014	PIN, SPRING	1	
9	7T0-R2625-00	KNOB	1	
10	7RX-52485-00	KNOB 2	1	
11	7RW-R262G-10	PLATE 2	1	
12	91318-05008	BOLT	2	
13	7RV-F581R-00	WASHER, CONICAL SPRING	6	
14	7RV-R234X-00	WASHER, SPECIAL 3	2	
15	92902-10200	WASHER	1	
16	95302-10600	NUT, HEXAGON	2	
17	91402-20015	PIN, COTTER	2	
18	7RW-52632-11	CABLE, CONTROL 2	1	
19	7RW-F627E-00	CLAMP, WIRE	1	
20	90464-10112	CLAMP	1	(160X8.00)

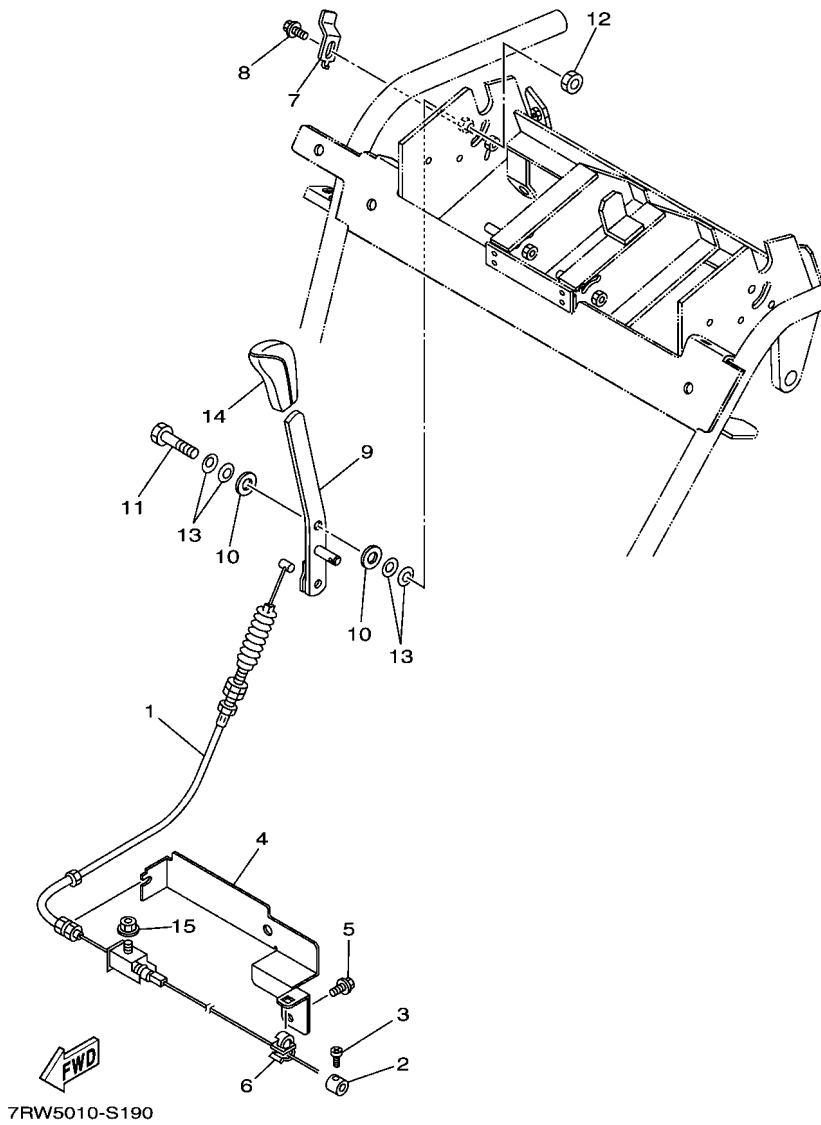
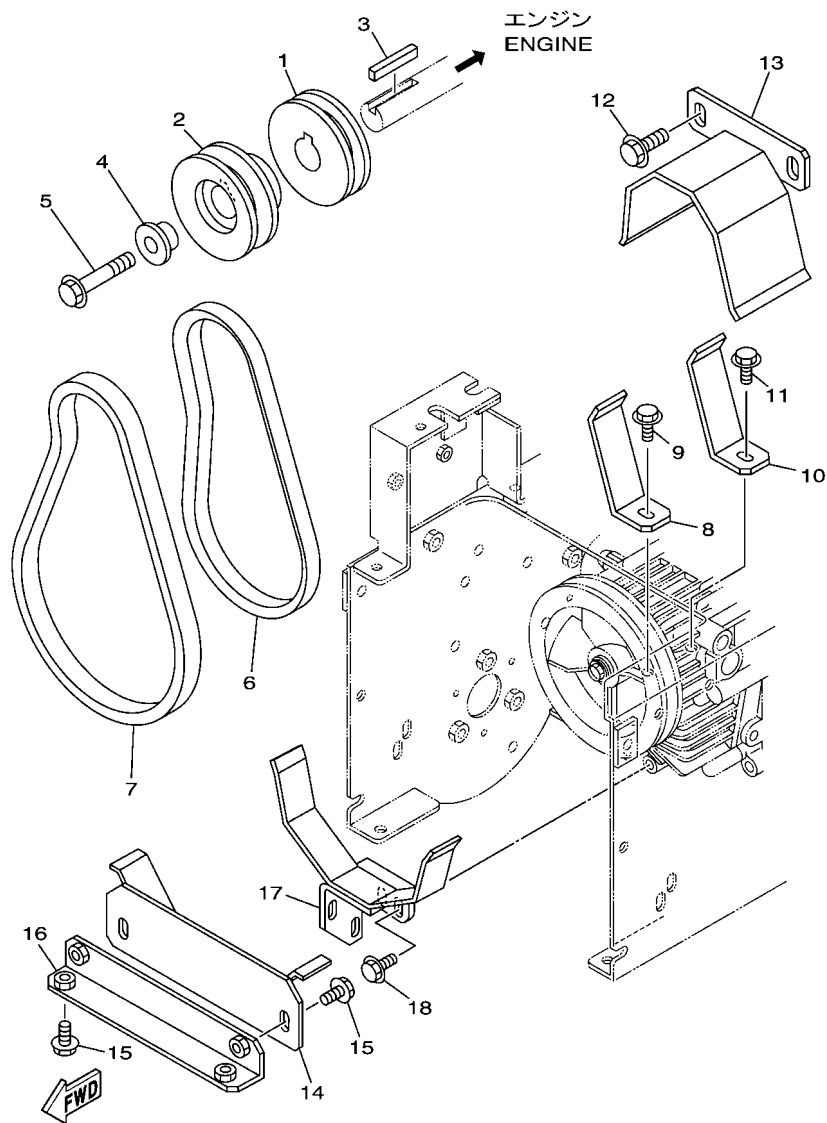


FIG. 19 THROTTLE LEVER

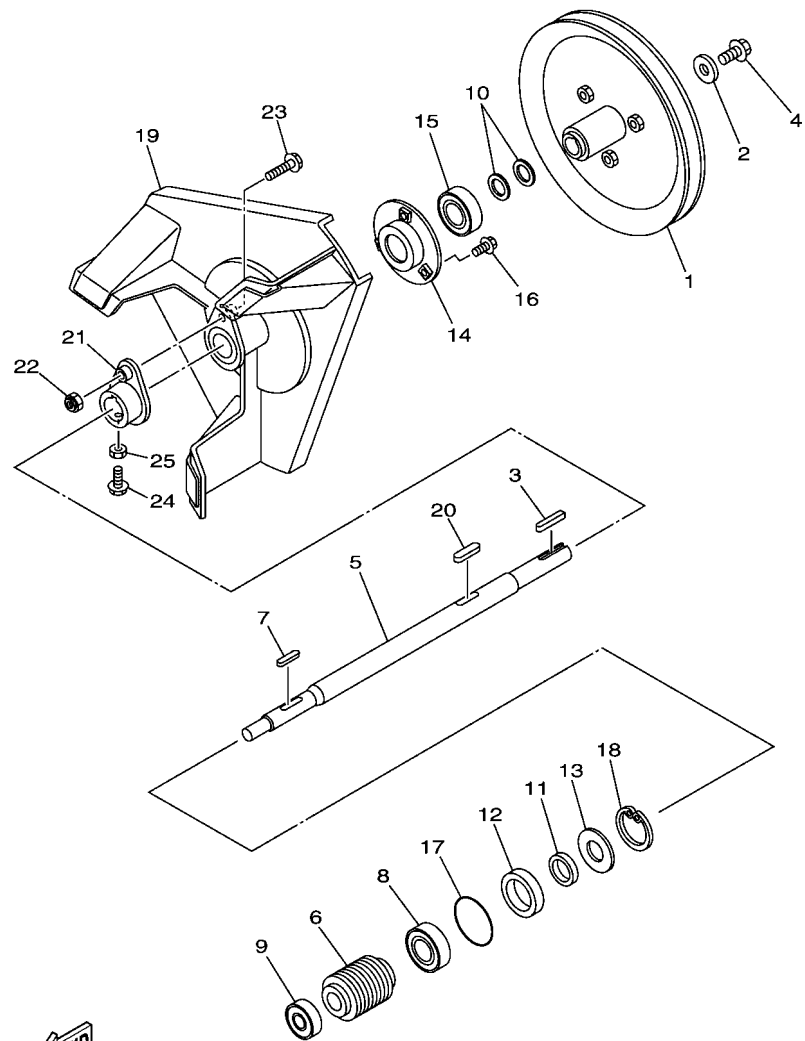
REF. NO.	PART NO.	DESCRIPTION	7RW5	REMARKS
1	7RW-26311-10	CABLE, THROTTLE 1	1	
2	7X9-11932-01	SETTER, WIRE	1	
3	90157-03038	SCREW, PAN HEAD	1	
4	7RW-F6372-00	COVER, HANDLE LEVER 1	1	
5	95802-06012	BOLT, FLANGE	1	
6	7NN-26379-S0	GUIDE, CABLE	1	
7	7RW-F171G-10	BRACKET, STOPPER STEERING	1	
8	95822-06012	BOLT, FLANGE	1	
9	7RW-E3726-10	LEVER, THROTTLE	1	
10	7RV-R2519-00	WASHER, SPECIAL	2	
11	97022-08030	BOLT, HEXAGON	1	
12	95302-08600	NUT, HEXAGON	1	
13	7KX-E3571-00	WASHER	4	
14	7T0-R241H-01	KNOB	1	
15	90185-06122	NUT, SELF-LOCKING	1	



7RW5010-R200

FIG. 20 V BELT & PULLEY

REF. NO.	PART NO.	DESCRIPTION	7RW5				REMARKS
1	7RW-G6256-10	PULLEY 1	1				
2	7RW-G6257-00	PULLEY 2	1				
3	90282-07061	KEY, STRAIGHT (7.0 MM)	1				
4	7H2-G7366-00	COLLAR 2	1				
5	95822-08035	BOLT, FLANGE	1				
6	7RW-46242-01	BELT 2	1				
7	7RW-46241-01	BELT	1				
8	7RW-R1543-00	FINGER, BELT	1				
9	95822-06012	BOLT, FLANGE	1				
10	7RW-R1544-00	FINGER, BELT 2	1				
11	95822-06012	BOLT, FLANGE	1				
12	95822-08016	BOLT, FLANGE	2				
13	7RW-R113T-00	PLATE, GUIDE 1	1				
14	7RW-R2352-02	GUIDE, BELT	1				
15	95822-08016	BOLT, FLANGE	4				
16	7RV-F831E-00	STAY, GUIDE 1	1				
17	7VY-R2481-00	GUIDE	1				
18	95822-06012	BOLT, FLANGE	2				

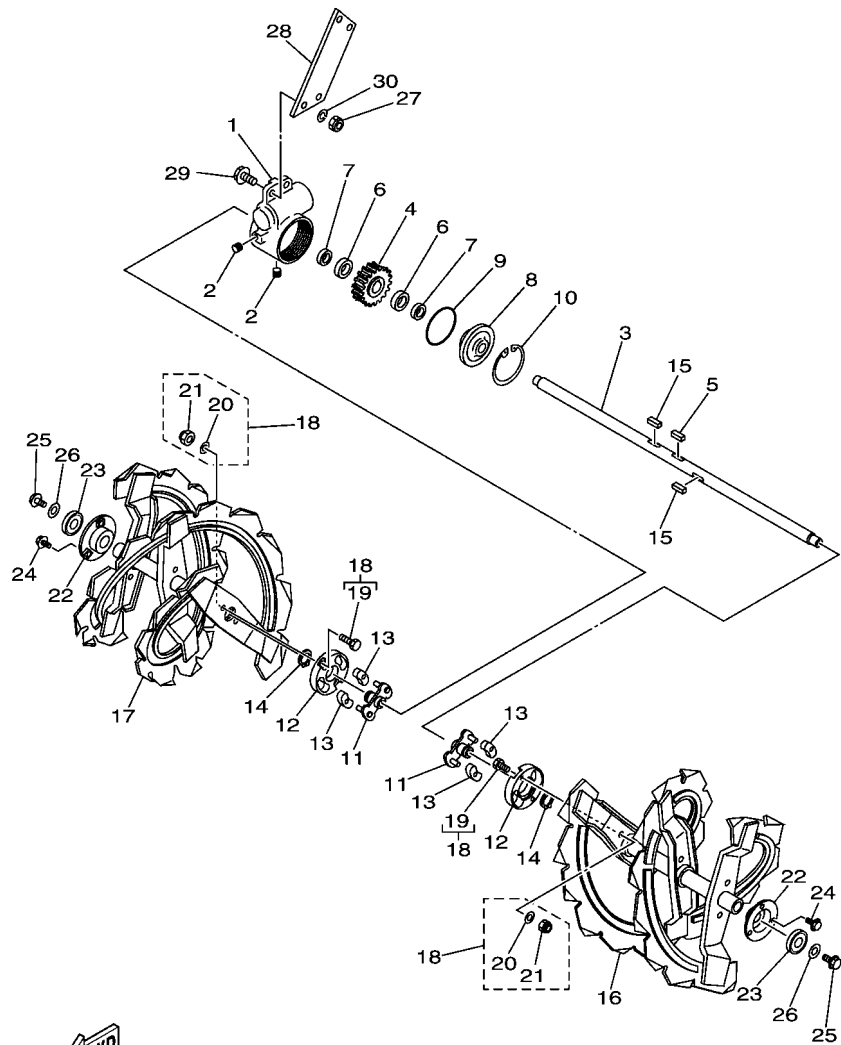


7RW5010-R210

FIG. 21 AUGA DRIVE & IMPELLER

REF. NO.	PART NO.	DESCRIPTION	7RW5	REMARKS
1	7RV-R1642-00	PULLEY 2	1	
2	90201-08681	WASHER, PLATE	1	
3	7MN-G7733-00	KEY,DRIVE	1	
4	95822-08020	BOLT, FLANGE	1	
5	7RW-R1636-20	SHAFT, IMPELLER	1	
6	7RV-R1637-01	WORM, GEAR 1	1	
7	7RV-R169G-00	KEY	1	
8	93306-054X7	BEARING	1	
9	93306-201YC	BEARING	1	
10	7RV-G7556-00	SHIM 1	1	UN
11	7KY-R169E-00	SEAL, OIL	1	
12	7RV-R1629-00	COVER 2	1	
13	7RV-R1693-00	PLATE	1	
14	7KA-51626-00	HOUSING, BEARING 2	1	
15	93306-20331	BEARING	1	
16	95822-06012	BOLT, FLANGE	3	
17	7RV-R111K-00	O-RING 1	1	
18	99009-42500	CIRCLIP	1	
19	7RW-R1635-20	IMPELLER	1	
20	7VY-R1322-00	KEY	1	
21	7RW-R163A-00	JOINT, FLANGE	1	
22	95602-06100	NUT, S/L	1	
23	95822-06030	BOLT, FLANGE	1	
24	97022-06020	BOLT, HEXAGON	1	
25	95302-06600	NUT, HEXAGON	1	

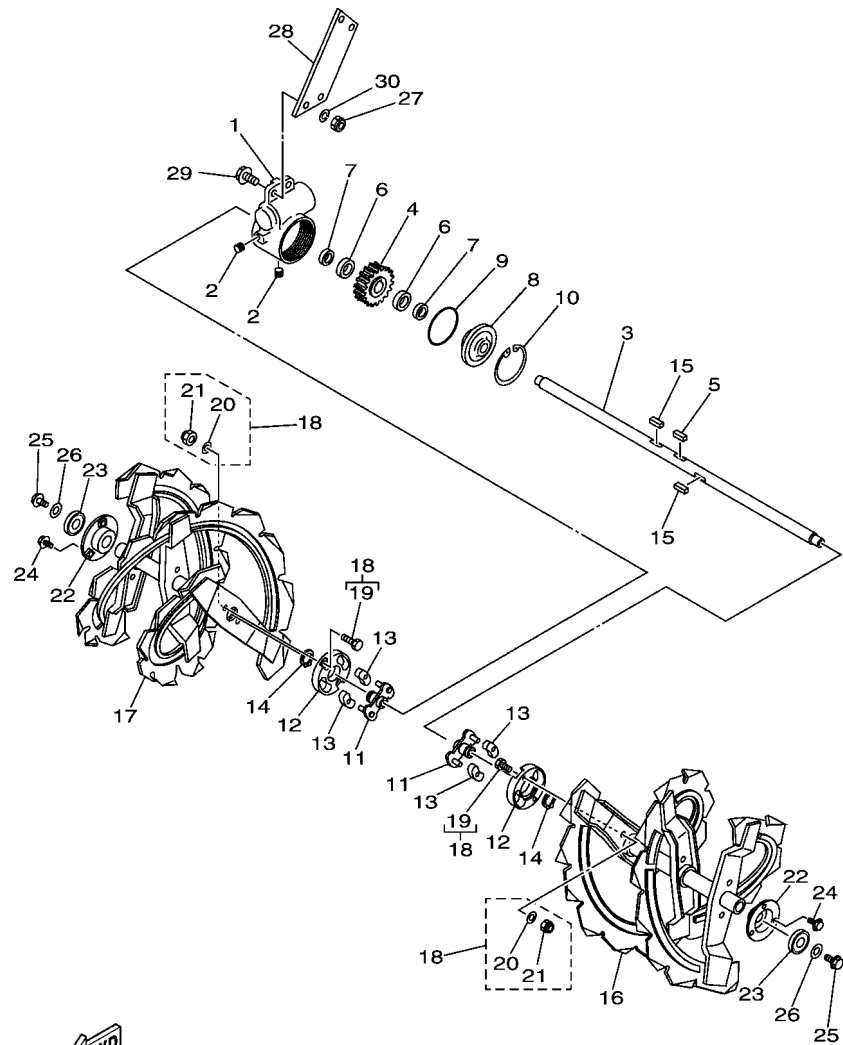
FIG. 22 AUGA DRIVEN



7RW5010-S220

REF. NO.	PART NO.	DESCRIPTION	7RW5				REMARKS
1	7RV-R1627-02	CASE, WORM	1				
2	7U7-R1118-00	PLUG, DRAIN	2				
3	7RW-R1646-10	SHAFT, AUGER	1				
4	7RV-R1638-00	WORM, WHEEL	1				
5	7RW-R1322-00	KEY	1				
6	93306-054X7	BEARING	2				
7	7KY-R169E-00	SEAL, OIL	2				
8	7RV-R1628-00-33	COVER 1	1				YB FOR FWB
9	7RV-R111L-00	O-RING 2	1				
10	99009-75500	CIRCLIP	1				
11	7RW-R1689-11	BRACKET 1	2				
12	7RW-R1699-11	BRACKET 2	2				
13	7RW-R1184-01	DAMPER	4				
14	99009-32400	CIRCLIP	2				
15	7RW-R1322-00	KEY	2				
16	7RW-R1645-03	AUGER 2	1				L.H.
17	7RW-R1644-03	AUGER 1	1				R.H.
18	7T0-W008A-01	BOLT, SHEAR SET	1				5-PIECES OF EACH COMP.
19	95822-06020	.BOLT, FLANGE	4				
20	90201-06102	.WASHER, PLATE	4				
21	95602-06200	.NUT, SELF-LOCKING	4				
22	7KA-51626-00	HOUSING, BEARING 2	2				
23	93306-20331	BEARING	2				
24	95822-06012	BOLT, FLANGE	6				
25	95822-08016	BOLT, FLANGE	2				
26	7RV-R159M-00	WASHER, SPECIAL	2				
27	90185-08162	NUT, SELF-LOCKING	2				

FIG. 22 AUGA DRIVEN



7RW5010-S220

REF. NO.	PART NO.	DESCRIPTION	7RW5				REMARKS
28	7RW-F4884-00	STAY, DOCUMENT BOX	1				
29	95822-08025	BOLT, FLANGE	2				
30	92902-08100	WASHER, SPRING	2				

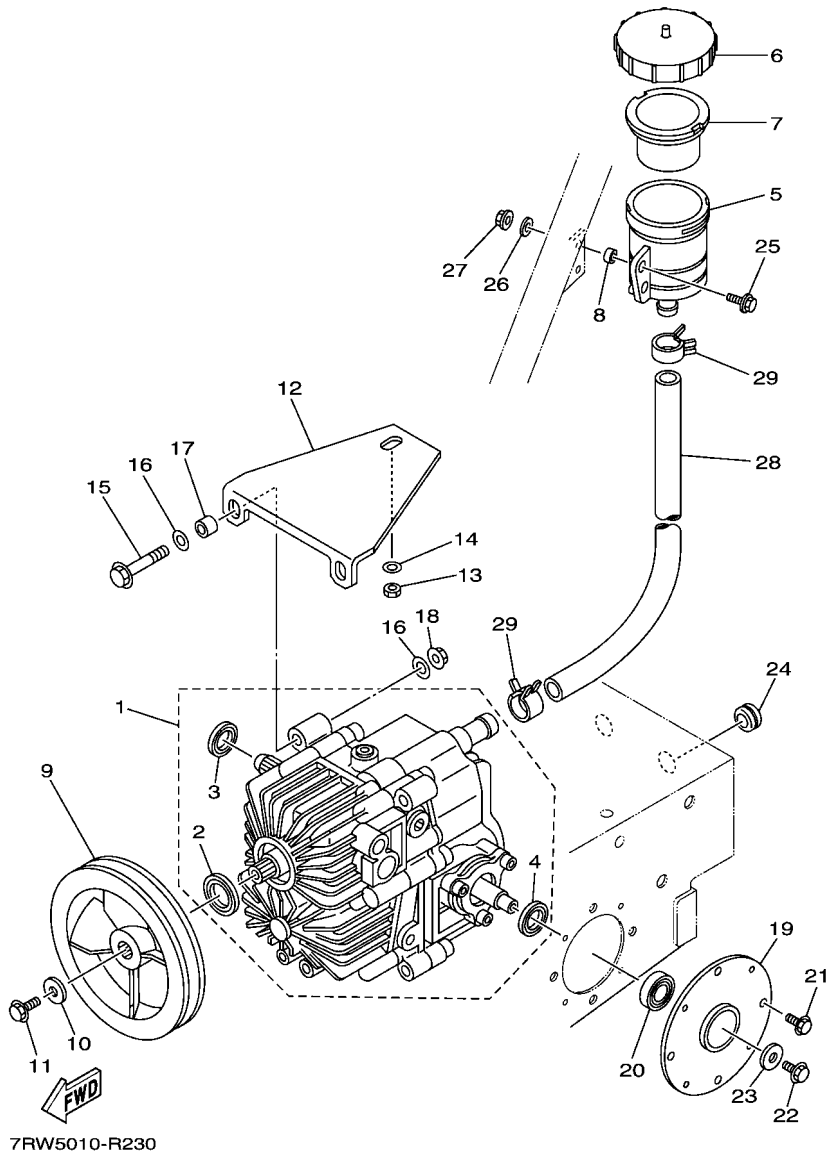
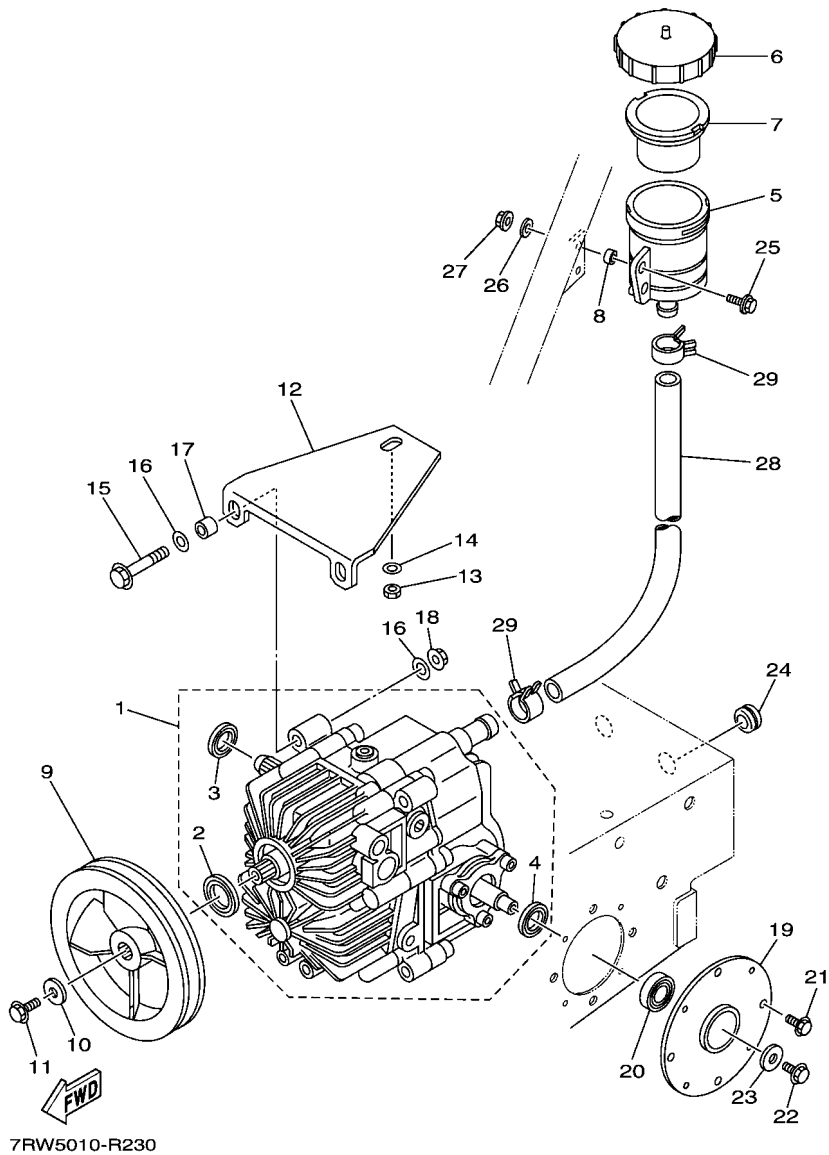


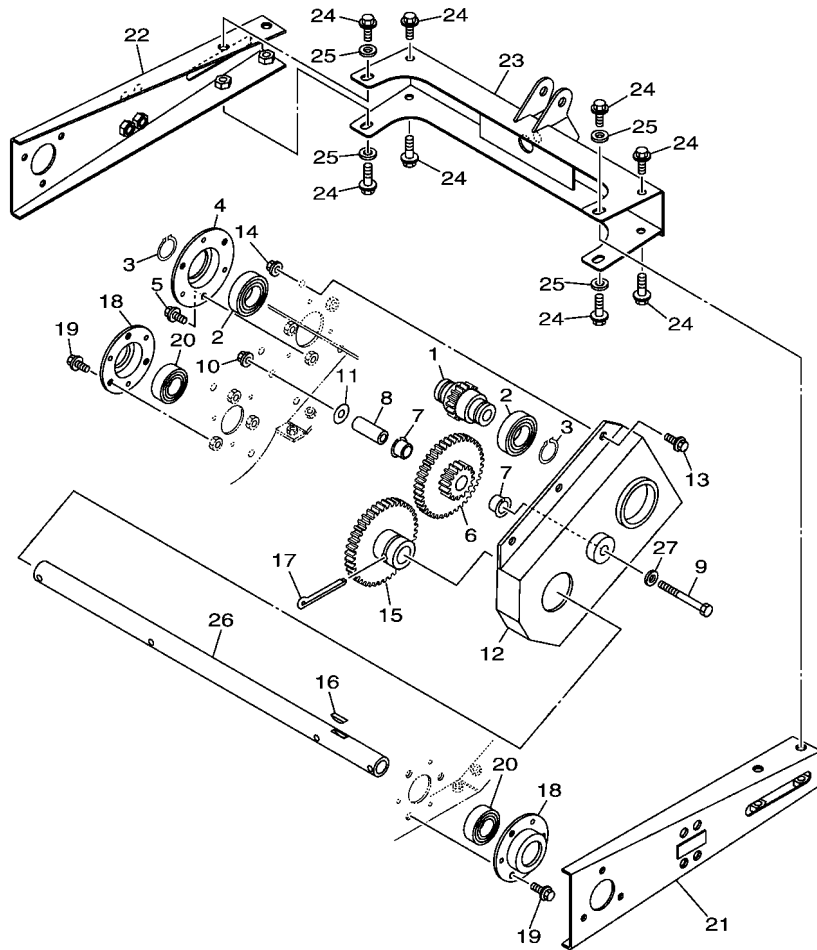
FIG. 23 TRANSMISSION 1

REF. NO.	PART NO.	DESCRIPTION	7RW5	REMARKS
1	7RW-G6800-00	HYDRO STATIC TRANSMISSION ASSY	1	
2	7RW-14005-00	.RING, SEAL	1	
3	7RW-23145-00	.OIL SEAL	1	
4	7RW-43882-00	.OIL SEAL	1	
5	JA1-46881-10	TANK, OIL	1	
6	JE8-46884-00	CAP, OIL	1	
7	7RW-46883-00	PACKING	1	
8	90387-064E8	COLLAR	1	
9	7RV-G6322-02	PULLEY, INPUT	1	
10	7RV-R234V-00	WASHER, SPECIAL 2	1	
11	95822-06016	BOLT, FLANGE	1	
12	7RV-G6555-02-NJ	BRACKET 2	1	FOR FWB
13	95702-08500	NUT, FLANGE	1	
14	92902-08200	WASHER	1	
15	95822-08045	BOLT, FLANGE	2	
16	92902-08200	WASHER	4	
17	7RV-G8181-00	COLLAR 1	2	
18	95702-08500	NUT, FLANGE	2	
19	7RV-R1625-00-NJ	HOUSING, BEARING 1	1	FOR FWB
20	93306-201YB	BEARING	1	
21	95822-06012	BOLT, FLANGE	4	
22	95822-06012	BOLT, FLANGE	1	
23	7RV-R234V-00	WASHER, SPECIAL 2	1	
24	7RV-R1973-00	GROMMET	1	
25	95822-06016	BOLT, FLANGE	1	
26	92902-06200	WASHER	1	
27	95702-06500	NUT, FLANGE	1	

FIG. 23 TRANSMISSION 1



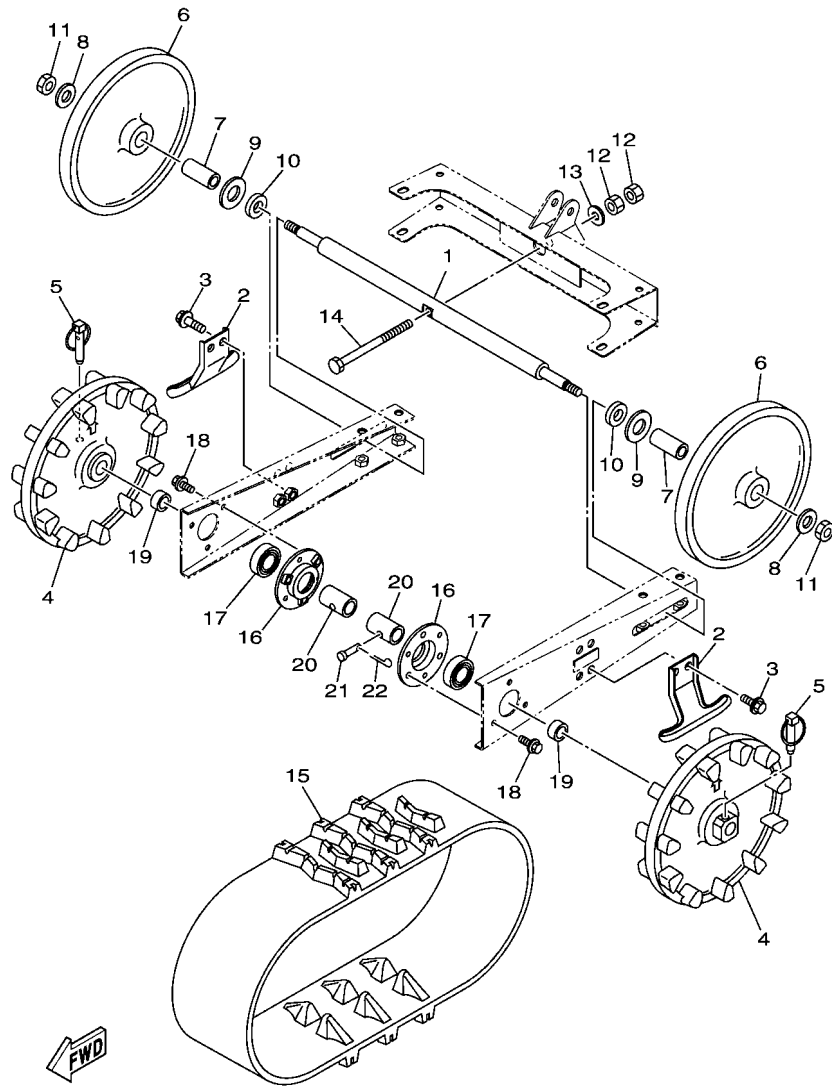
REF. NO.	PART NO.	DESCRIPTION	7RW5				REMARKS
28	90445-18013	HOSE	1				
29	7RV-G5319-00	CLIP	2				



7RW5010-S240

FIG. 24 TRANSMISSION 2

REF. NO.	PART NO.	DESCRIPTION	7RW5				REMARKS
1	7RW-G6355-01	GEAR, PRIMARY	1				
2	7VY-F7963-00	BEARING, SPECIAL 1	2				
3	99009-25400	CIRCLIP	2				
4	7RV-R1639-00	HOUSING, BEARING 3	1				
5	95822-06012	BOLT, FLANGE	3				
6	7RW-G6356-01	GEAR, IDLER	1				
7	7RV-G6369-02	BUSH, IDLER	2				
8	7RV-G6368-00	COLLAR, IDLER	1				
9	7RV-G7553-00	BOLT	1				
10	95702-08300	NUT, NYLON	1				
11	7RV-R234R-00	WASHER, SPECIAL 1	1				
12	7RV-G6365-01-NJ	CASE, GEAR	1				FOR FWB
13	95822-06012	BOLT, FLANGE	6				
14	95702-06500	NUT, FLANGE	6				
15	7RW-G6357-01	GEAR, FINAL 2	1				
16	90280-05040	KEY, WOODRUFF	1				
17	91402-50050	PIN, COTTER	1				
18	7RV-R1626-00	HOUSING, BEARING 2	2				
19	95822-06012	BOLT, FLANGE	6				
20	93306-054YB	BEARING	2				
21	7RW-G7331-00	ARM, PIVOT 1	1				
22	7RW-G7332-00	ARM, PIVOT 2	1				
23	7RW-G7348-00	GUSSET	1				
24	95822-08016	BOLT, FLANGE	8				
25	92902-08200	WASHER	4				
26	7RV-G7465-03	SHAFT 1	1				
27	92902-08200	WASHER	1				



7RW5010-S250

FIG. 25 TRACK & SPROCKET WHEEL

REF. NO.	PART NO.	DESCRIPTION	7RW5				REMARKS
1	7RW-G7520-00	REAR AXLE COMP.	1				
2	7RW-G7441-10	SLIDER 1	2				
3	95822-08016	BOLT, FLANGE	4				
4	7KA-47560-00	SPROCKET WHEEL ASSY	2				
5	7VY-F5126-00	PIN, PIVOT	2				
6	7Y6-47534-00	WHEEL, GUIDE 1	2				
7	7RV-G7526-00	COLLAR	2				
8	7RV-G7527-00	DAMPER, SPROCKET	2				
9	7XE-G7374-00	WASHER 1	2				
10	90201-143L7	WASHER, PLATE	2				
11	95602-12100	NUT, U	2				
12	95302-10600	NUT, HEXAGON	2				
13	92902-10200	WASHER	1				
14	7RW-G631K-00	BOLT, ADJUSTING	1				
15	7XE-47110-10	TRACK ASSY	2				
16	7RV-G7631-00	HOUSING, BEARING	2				
17	93306-054YB	BEARING	2				
18	95822-06012	BOLT, FLANGE	6				
19	7XE-G7365-00	COLLAR 1	2				
20	7RV-G7369-00	COLLAR	2				
21	7RV-G8164-00	PIN 2	1				
22	91402-16012	PIN, COTTER	1				

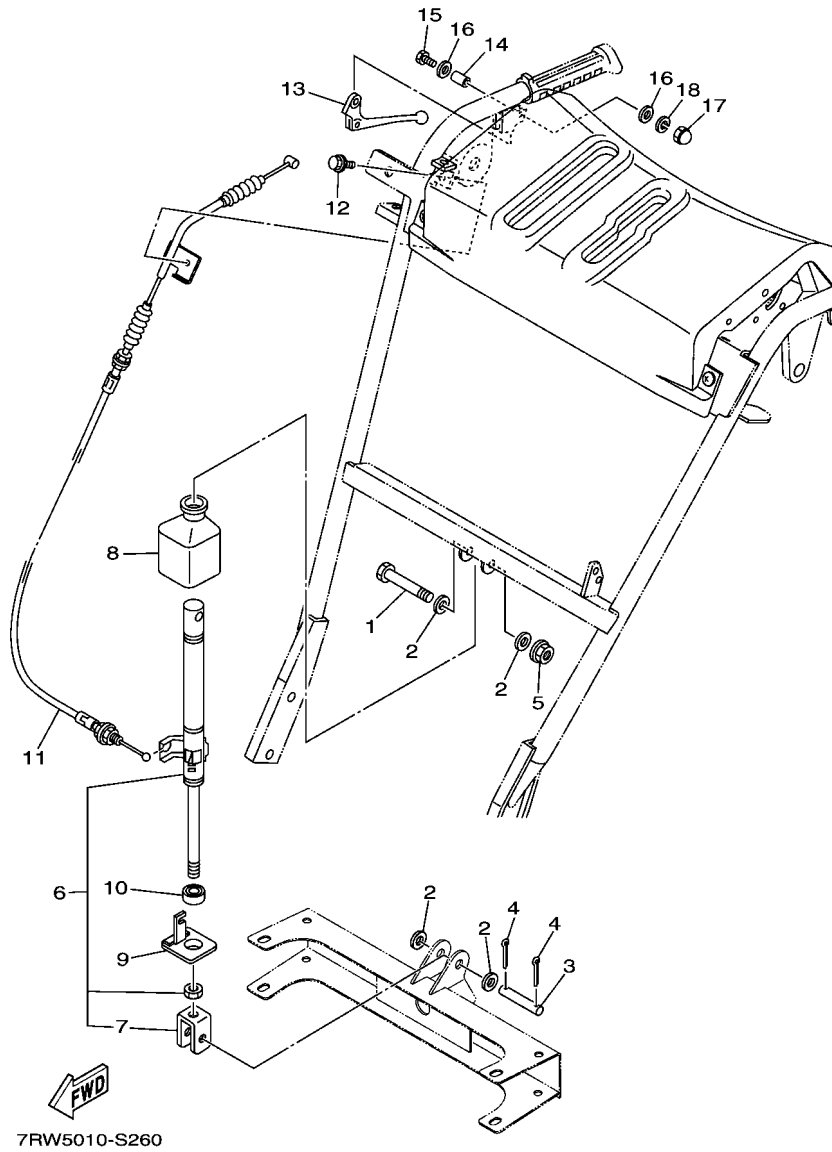


FIG. 26 TILT AUGA SYSTEM

REF. NO.	PART NO.	DESCRIPTION	7RW5				REMARKS
1	97022-10050	BOLT, HEXAGON	1				
2	92902-10200	WASHER	4				
3	7VY-G381G-00	PIN 1	1				
4	91402-30020	PIN, COTTER	2				
5	7RW-G7579-00	NUT	1				
6	7VY-43610-00	TILT LOCK ASSY	1				
7	7RX-4384A-09	.BOSS, ROD END	1				
8	7RX-48175-00	BOOT	1				
9	7RX-43812-00	SEAL, DUST	1				
10	93102-10247	OIL SEAL	1				
11	7RW-43626-31	WIRE, TILT LOCK	1				
12	95822-06012	BOLT, FLANGE	1				
13	583-83981-00	LEVER, DECOMPRESSION	1				
14	7RX-G3166-00	PIN	1				
15	7BF-F3394-00	BOLT, SPECIAL	1				
16	92902-04200	WASHER, PLAIN	2				
17	95302-04800	NUT, CROWN	1				
18	92902-04100	WASHER, SPRING	1				

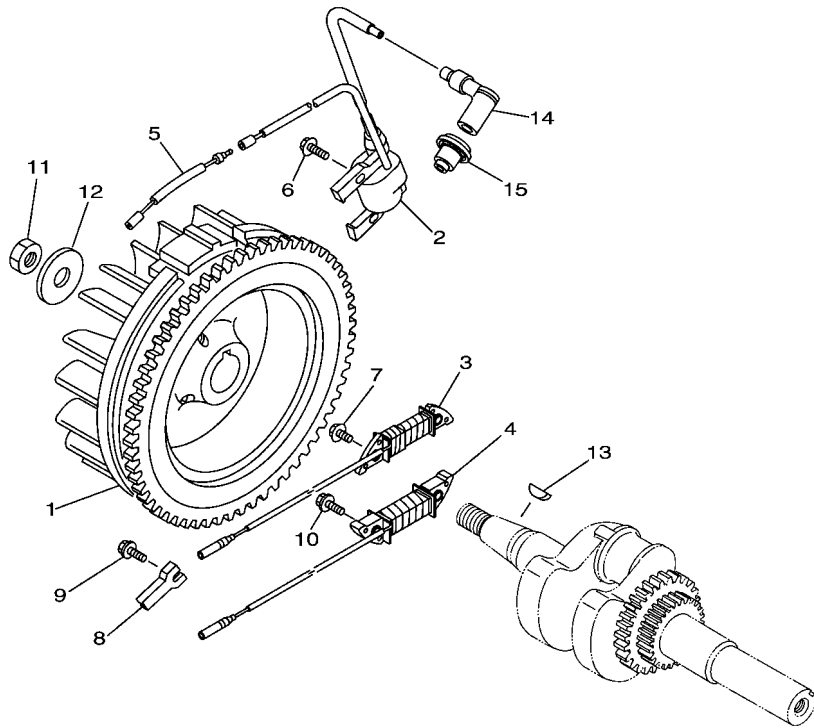
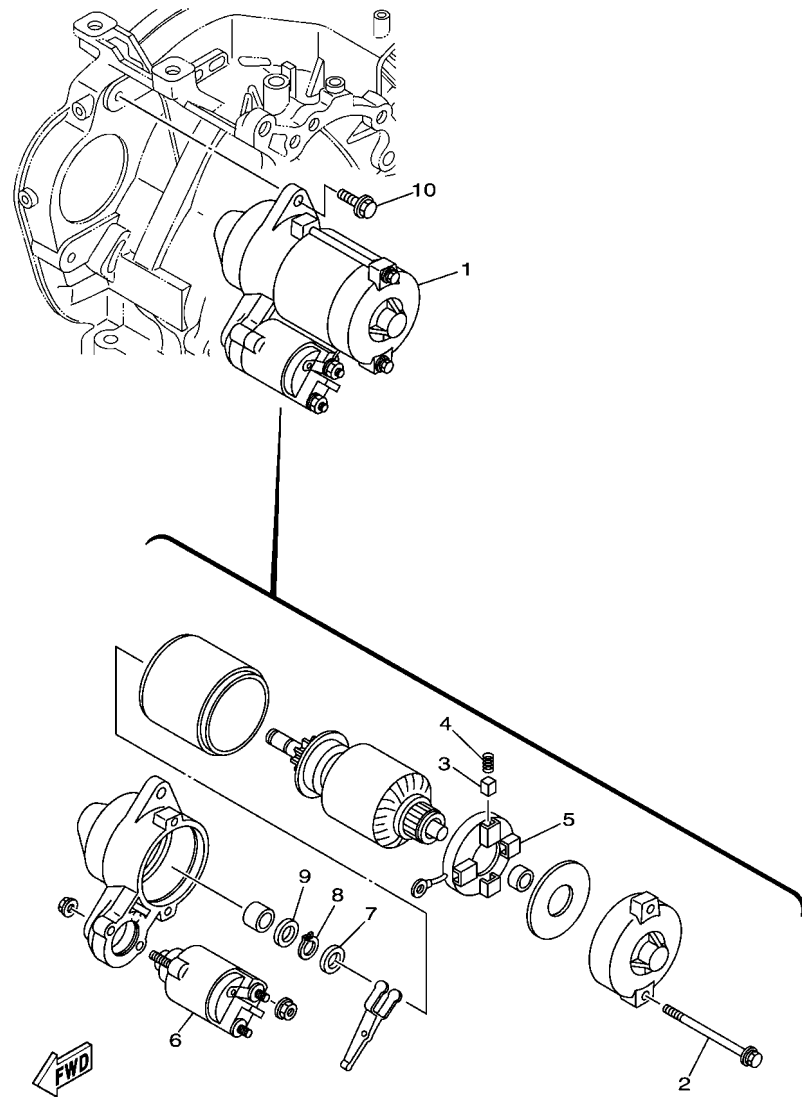


FIG. 27 GENERATOR

REF. NO.	PART NO.	DESCRIPTION	7RW5				REMARKS
1	7VC-H5650-01	ROTOR ASSY	1				
2	7VB-H5640-01	T.C.I. UNIT ASSY	1				
3	7CS-H5521-00	COIL ASSY	1				
4	7CS-H5521-10	COIL ASSY	1				
5	7CP-H2507-00	WIRE, LEAD	1				
6	95802-06025	BOLT, FLANGE	2				
7	95802-06016	BOLT, FLANGE	2				
8	90462-06232	CLAMP	1				
9	95802-06012	BOLT, FLANGE	1				
10	95880-06020	BOLT, FLANGE	2				
11	90170-18391	NUT	1				
12	90201-18802	WASHER, PLATE	1				
13	90280-04801	KEY, WOODRUFF	1				
14	7CN-H2370-00	PLUG CAP ASSY	1				
15	7CP-H2372-00	SEAL, PLUG CAP	1				

 7RW4010-N270

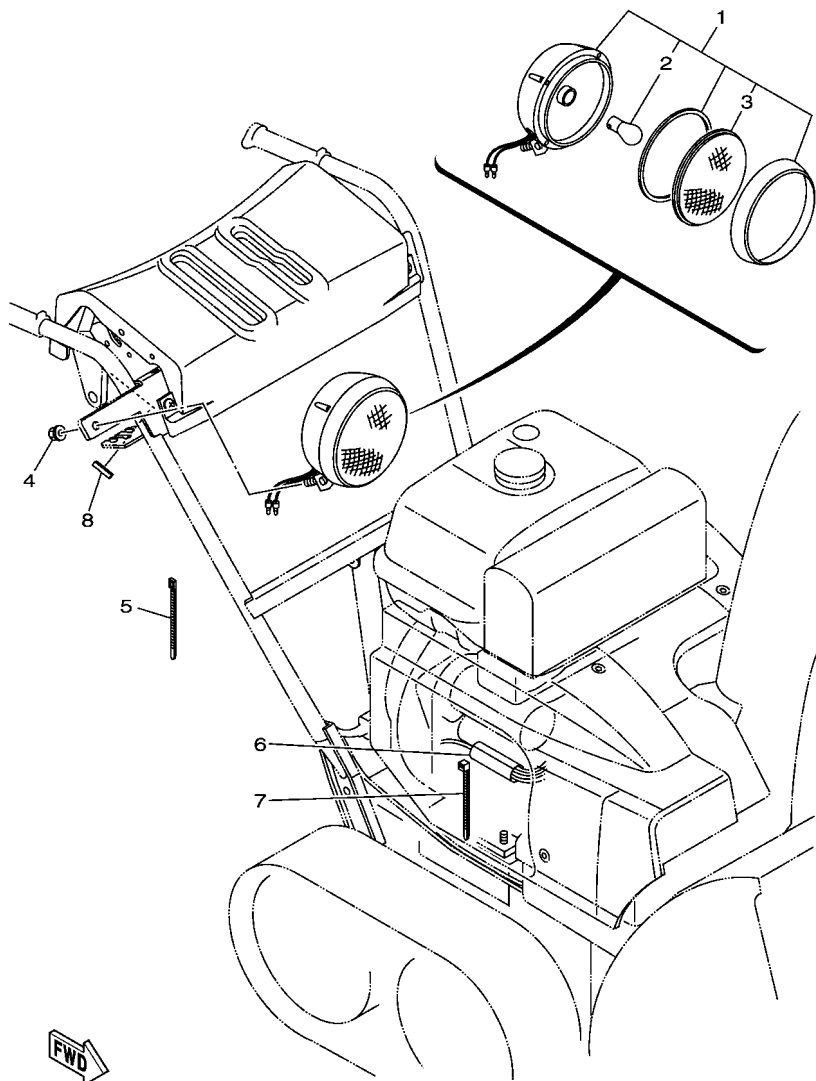
FIG. 28 STARTING MOTOR



7RW4010-N280

REF. NO.	PART NO.	DESCRIPTION	7RW5				REMARKS
1	7CU-H1800-01	STARTING MOTOR ASSY	1				
2	7CU-H1826-00	.BOLT	2				
3	7CU-H1812-00	.BRUSH 2	4				
4	7CU-H1813-00	.SPRING, BRUSH	4				
5	7CU-H1840-00	.BRUSH HOLDER ASSY	1				
6	7CU-H1870-00	.STARTING SWITCH ASSY	1				
7	7CU-H1833-00	.RING, STOP	1				
8	7CU-H1834-00	.RING	1				
9	7CU-H1835-00	.WASHER	1				
10	95802-08025	BOLT, FLANGE	2				

FIG. 29 HEADLIGHT



REF. NO.	PART NO.	DESCRIPTION	7RW5				REMARKS
1	7RV-84300-01	HEADLIGHT ASSY	1				
2	849-83311-20	.BULB(12V-23W)	1				
3	7RV-84121-00	.LENS, HEADLIGHT	1				
4	95702-08500	NUT, FLANGE	1				
5	7RV-F1646-00	BAND	8				
6	7MX-82599-00	COVER, CONNECTER	1				
7	7RX-H2155-00	BAND	1				
8	7MN-F196U-00	TRIM 2	1				



7RW5010-R290

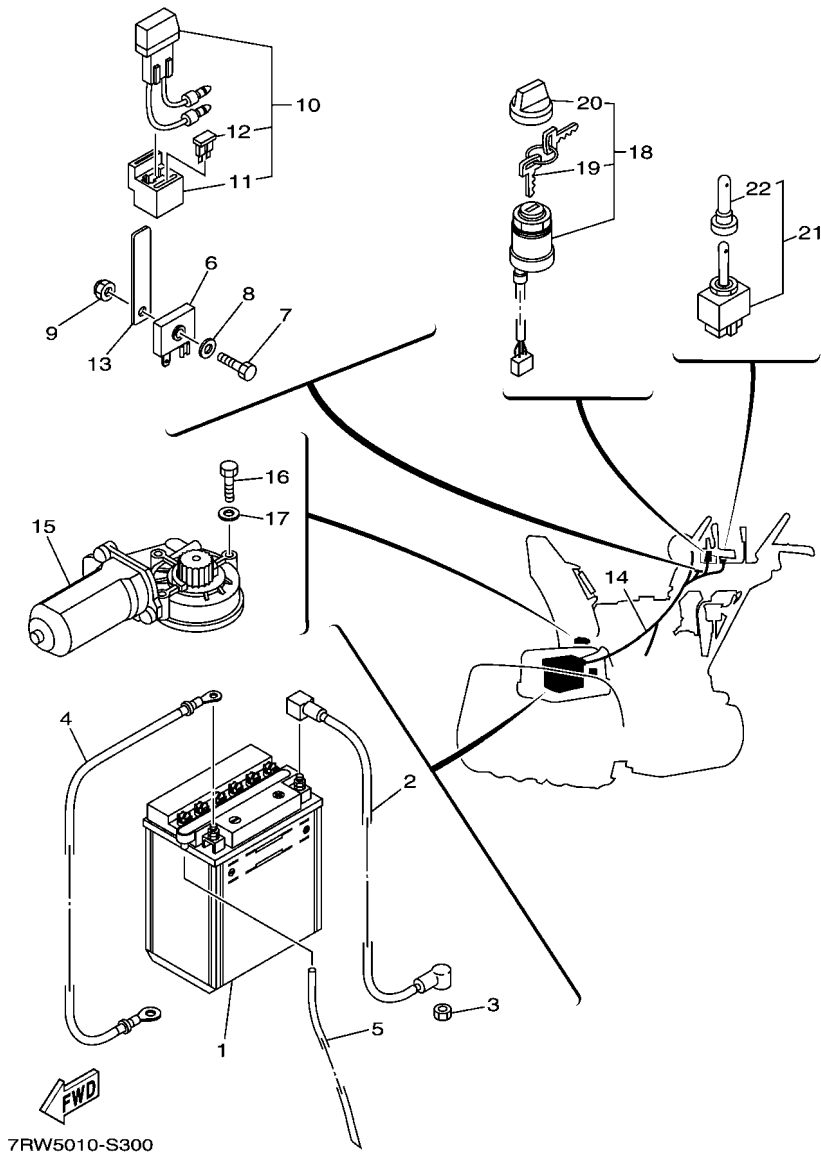
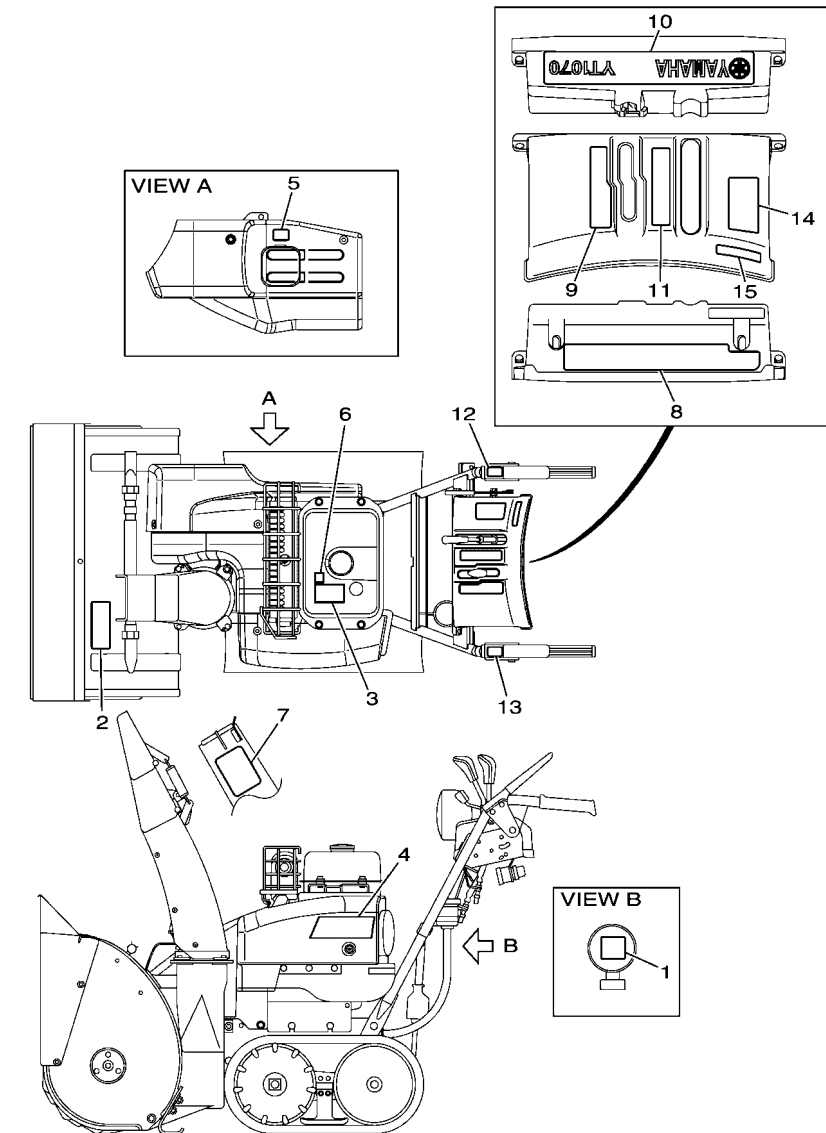


FIG. 30 ELECTRICAL 1

REF. NO.	PART NO.	DESCRIPTION	7RW5				REMARKS
1 *		BATTERY ASSY (YB14L-A2)	1				LM YUASA
2	7RW-H2115-11	WIRE, PLUS LEAD	1				
3	95702-08500	NUT, FLANGE	1				
4	7RW-H2116-10	WIRE, MINUS LEAD	1				
5	90445-081F2	HOSE (L200)	1				
6	7CH-81970-00	RECTIFIER ASSY	1				
7	97002-05025	BOLT	1				
8	92902-05200	WASHER	1				
9	95702-05300	NUT, NYLON	1				
10	7RX-82150-00	FUSE HOLDER ASSY	1				
11	JE8-82155-00	.BAND	1				
12	1AE-82151-00	.FUSE (30A-BL)	2				
13	7RW-H2153-00-NJ	STAY, FUSE HOLDER	1				FOR FWB
14	7RW-H2590-20	WIRE HARNESS ASSY	1				
15	99999-04150	MOTOR ASSY	1				
16	7BB-H1892-00	BOLT, SPECIAL	3				
17	92902-05200	WASHER	3				
18	7MN-82510-00	MAIN SWITCH ASSY	1				
19	7KE-82511-00	.KEY, MAIN SWITCH	2				
20	24W-82579-00	.CAP, KEY	1				
21	7LY-82917-02	SWITCH	1				
22	7LY-8291G-00	.COVER, SWITCH	1				

FIG. 31 EMBLEM & LABEL 1



7RW5300-S310

REF. NO.	PART NO.	DESCRIPTION	7RW5				REMARKS
1	7T0-F4241-10	INDICATOR 1 (HOSE DRAIN)	1				
2	7RV-51781-10	LABEL, WARNING 1	1				
3	7RV-2415E-10	LABEL, CAUTION	1				
4	7RW-R2683-00	EMBLEM 3 (YAMAHA)	1				
5	7C2-F1793-00	ORNAMENT (OIL)	1				
6	7PB-F817K-00	LABEL,FUEL (E10)	1				
7	7RV-51782-10	LABEL, WARNING	1				
8	7T0-F4162-20	EMBLEM 2 (ENGINE SW)	1				
9	7T0-R2693-10	INDICATOR 1 (SPEED)	1				
10	7RW-R2682-30	EMBLEM 2 (YAMAHA YT1070)	1				
11	7T0-R2694-10	INDICATOR 2 (CHUTE)	1				
12	7BE-R2698-10	INDICATOR 6 (AUGER CLUTCH)	1				
13	7BE-R2699-10	INDICATOR 7 (DRIVE CLUTCH)	1				
14	7T0-F4154-10	INDICATOR, SHIFT (THROTTLE)	1				
15	7T0-R269E-10	INDICATOR 11 (AUGER WEIGHT)	1				

NUMERICAL INDEX

PART NO.	REF. NO.	PART NO.	REF. NO.	PART NO.	REF. NO.	PART NO.	REF. NO.	PART NO.	REF. NO.	PART NO.	REF. NO.
812-11198-00	9 - 24	7RX-51133-01	18 - 5	7VB-E1454-00	2 - 8	7VB-E4708-10	8 - 5	7CN-F4612-01	10 - 3	7RV-G7527-00	25 - 8
7X9-11932-01	19 - 2	7KA-51626-00	21 - 14	7VB-E1610-01	2 - 3	7VB-E4711-00	8 - 1	7RW-F4884-00	22 - 28	7RV-G7553-00	24 - 9
7RW-14005-00	23 - 2		22 - 22	7VB-E1610-01	2 - 3	7CT-E4799-10	8 - 2	7VY-F5126-00	25 - 5	7RV-G7556-00	21 - 10
4CW-14117-00	7 - 8	7Y6-51732-02	13 - 10	7VB-E1610-20	2 - 3	7CT-E479E-10	8 - 3	7GA-F581R-00	15 - 8	7RW-G7579-00	26 - 5
7LV-14118-00	7 - 6	7KA-51733-00	13 - 11	7VB-E1631-00-A0	2 - 2	7VC-E479H-T0	3 - 25	7RV-F581R-00	17 - 5	7RV-G7631-00	25 - 16
2H0-14147-00	7 - 21	7VB-E1739-00	13 - 12	7VB-E1633-00	2 - 4	7CN-E4922-02	3 - 18		18 - 13	7MN-G7733-00	21 - 3
7CU-14150-00	7 - 23	7KA-51741-00	13 - 13	7VB-E1635-00	2 - 2	7CT-E4997-00	7 - 10	7RW-F627E-00	18 - 19	7RV-G8164-00	25 - 21
7EG-14159-00	7 - 17	7RV-51781-10	31 - 2	7VB-E1636-00	2 - 2	7VB-E5111-11	9 - 1	7RW-F6372-00	19 - 4	7RV-G8181-00	23 - 17
7CG-14162-00	7 - 15	7RV-51782-10	31 - 7	7VB-E1650-00	2 - 6	7VB-E536A-00	9 - 19	7VC-F637G-S0	3 - 23	7CU-H1800-01	28 - 1
7CS-14181-00	7 - 12	7RX-52485-00	18 - 10	7CT-E1654-00	2 - 7	7BX-E536A-20	9 - 17	7VY-F7963-00	24 - 2	7CU-H1812-00	28 - 3
JN6-14185-00	7 - 11	7KA-52515-00	14 - 2	7CT-E1913-00	3 - 2	7VC-E5411-S0	9 - 9	7PB-F817K-00	31 - 6	7CU-H1813-00	28 - 4
22F-14186-00	7 - 16	7KA-52516-00	12 - 18	7CT-E1914-00	3 - 3	7VB-E5451-00	9 - 15	7RV-F831E-00	20 - 16	7RV-H1823-01-NJ	13 - 15
127-14198-00	7 - 14	7RW-52631-21	15 - 25	7CT-E1917-00	3 - 7	7CT-E5710-S1	5 - 4	7RW-F8463-00	13 - 24	7CU-H1826-00	28 - 2
7NJ-14211-00	7 - 5	7RW-52632-11	18 - 18	7VB-E1922-00	3 - 8	7CT-E5713-00	5 - 7	7VC-G1240-S1	3 - 17	7CU-H1833-00	28 - 7
73A-14212-10	7 - 4	7RW-52633-21	15 - 26	7VB-E1924-00	3 - 11	7CT-E5714-00	5 - 5	7RW-G3166-00	26 - 14	7CU-H1834-00	28 - 8
7RH-14216-00	7 - 2	7KA-52651-01	15 - 1	7VC-E1925-S1	3 - 22	7CN-E5715-00	5 - 8	7VY-G381G-00	26 - 3	7CU-H1835-00	28 - 9
7NN-1423E-41-A0	7 - 13	7Y6-52652-02	15 - 2	7VB-E1928-00	3 - 15	7CT-E5716-00	5 - 9	7RV-G5319-00	23 - 29	7RV-H183R-00	13 - 17
7RW-14430-00	6 - 15	7KA-52653-01	15 - 3	7CT-E1970-10	3 - 1	7VC-E5723-T0	5 - 15	7GA-G5716-00	16 - 17	7CU-H1840-00	28 - 5
7RA-14486-00	7 - 3	7KA-52654-02	15 - 4	7CT-E1971-00	9 - 13	7CT-E5741-00	5 - 6	75H-G6218-00	16 - 1	7CU-H1870-00	28 - 6
6K8-14597-10	7 - 9	7Y6-52657-01	15 - 15	7VB-E2111-00	4 - 2	7CN-E5743-00	5 - 11	7RW-G6256-10	20 - 1	7BB-H1892-00	30 - 16
1WG-14922-00	7 - 7	7Y6-52658-01	15 - 7	7CT-E2117-00	4 - 6	7CT-E5751-S0	5 - 12	7RW-G6257-00	20 - 2	7RW-H2115-11	30 - 2
7RY-15351-00	9 - 23	7Y6-52661-01	15 - 14	7CT-E2118-00	4 - 7	7CN-E5755-00	5 - 13	7RV-G6258-00	16 - 3	7RW-H2116-10	30 - 4
7RW-23145-00	23 - 3	7Y6-52663-01	15 - 18	7CT-E2119-00	4 - 15	7CN-E5793-00	5 - 10	7RW-G6266-01	16 - 7	7RW-H2122-00	11 - 12
7RV-2415E-10	31 - 3	7KA-52665-01	15 - 22	7VB-E2121-00	4 - 3	7RV-F1646-00	15 - 24	7RW-G6267-01-33	16 - 6	7RW-H2129-00	11 - 20
7RJ-24500-T1	10 - 21	7KA-52666-01	15 - 9	7VB-E2151-00	4 - 8		29 - 5	7RV-G6295-02	16 - 8	7RW-H2153-00-NJ	30 - 13
7T0-24515-00	10 - 24	7CH-81970-00	30 - 6	7VB-E2153-00	4 - 4	7RW-F1711-10-NJ	11 - 3	7RW-G631K-00	25 - 14	7RW-H2154-10	11 - 10
7KA-24521-00	10 - 22	26H-82131-00	11 - 11	7VB-E2154-00	4 - 14	7RW-F171G-10	19 - 7	7RV-G6322-02	23 - 9	7RX-H2155-00	29 - 7
7G5-24531-00	10 - 23	7RX-82150-00	30 - 10	7VB-E2156-00	4 - 12	7C2-F1793-00	31 - 5	7RV-G6336-00-NJ	16 - 13	7CN-H2370-00	27 - 14
7T0-24565-00	10 - 25	1AE-82151-00	30 - 12	7CT-E2159-00	4 - 10	7RW-F194H-10	12 - 36	7RW-G6355-01	24 - 1	7CP-H2372-00	27 - 15
7RW-26311-10	19 - 1	JE8-82155-00	30 - 11	7VB-E2161-00	4 - 9	7MN-F196U-00	29 - 8	7RW-G6356-01	24 - 6	7CP-H2507-00	27 - 5
7NN-26379-S0	19 - 6	7MN-82510-00	30 - 18	7CR-E2170-00	4 - 1	7T0-F28H0-00	11 - 22	7RW-G6357-01	24 - 15	7RW-H2590-20	30 - 14
7RV-28100-00	14 - 5	7KE-82511-00	30 - 19	7VC-E2621-T0	5 - 1	7U7-F311F-00	16 - 11	7RV-G6365-01-NJ	24 - 12	7CS-H5521-00	27 - 3
7VY-43610-00	26 - 6	24W-82579-00	30 - 20	7VB-E2651-00	5 - 3	7BF-F3394-00	26 - 15	7RV-G6368-00	24 - 8	7CS-H5521-10	27 - 4
7RW-43626-31	26 - 11	7MX-82599-00	29 - 6	7VC-E3557-T0	6 - 2	7VC-F4110-U0	10 - 1	7RV-G6369-02	24 - 7	7VB-H5640-01	27 - 2
7RX-43812-00	26 - 9	7LY-82917-02	30 - 21	7VB-E3567-00	6 - 4	7VB-F4115-00	10 - 11	7RW-G6554-00-NJ	16 - 14	7VC-H5650-01	27 - 1
7RX-4384A-09	26 - 7	7LY-8291G-00	30 - 22	7VC-E3567-T0	6 - 10	7VB-F4116-01	10 - 12	7RV-G6555-02-NJ	23 - 12	7DF-H5710-00	10 - 5
7RW-43882-00	23 - 4	849-83311-20	29 - 2	7KX-E3571-00	19 - 13	7VB-F4117-00	10 - 13	7RW-G6800-00	23 - 1	7U7-R1118-00	22 - 2
7RW-46241-01	20 - 7	583-83981-00	26 - 13	7VC-E3596-T0	6 - 1	7T0-F4154-10	31 - 14	7RW-G7331-00	24 - 21	7RV-R111K-00	21 - 17
7RW-46242-01	20 - 6	7RV-84121-00	29 - 3	7RW-E3726-10	19 - 9	7T0-F4162-20	31 - 8	7RW-G7332-00	24 - 22	7RV-R111L-00	22 - 9
7KA-46277-00	16 - 18	7RV-84300-01	29 - 1	7VC-E4101-T0	7 - 1	7CN-F4167-00	10 - 4	7RW-G7348-00	24 - 23	7RW-R113T-00	20 - 13
7RV-46371-30	17 - 14	7RW-E1011-20-NJ	11 - 2	7CU-E4142-50-A0	7 - 22	7CT-F4176-00	10 - 7	7XE-G7365-00	25 - 19	7RW-R1184-01	22 - 13
JA1-46881-10	23 - 5	7VB-E1111-02	1 - 1	7VC-E4280-U0	6 - 9	7VB-F4181-00	10 - 6	7H2-G7366-00	20 - 4	7RW-R1188-00	11 - 17
7RW-46883-00	23 - 7	7VC-E1166-T0	1 - 10	7VC-E4411-T0	6 - 5	7T0-F4241-10	31 - 1	7RV-G7369-00	25 - 20	7RW-R1312-01	12 - 2
JE8-46884-00	23 - 6	7VB-E1181-01	1 - 2	7VC-E4412-T0	6 - 6	7VC-F4311-T0	10 - 16	7XE-G7374-00	25 - 9	7RW-R1315-01	12 - 5
7XE-47110-10	25 - 15	7VB-E1190-00	1 - 7	7T0-E442G-00	11 - 23	7VC-F4312-T0	6 - 11	7RV-G7441-10	25 - 2	7RW-R1322-00	22 - 5
7Y6-47534-00	25 - 6	7VB-E1193-01	1 - 8	7VC-E4468-T2	6 - 7	7VC-F4313-T0	6 - 13	7RV-G7465-03	24 - 26		22 - 15
7KA-47560-00	25 - 4	7CT-E1198-00	9 - 7	7CU-E4527-00	7 - 20	7RW-F4544-00	10 - 19	7RW-G7520-00	25 - 1	7VY-R1322-00	21 - 20
7RX-48175-00	26 - 8	7VB-E1400-50	2 - 1	7VB-E4613-00	8 - 10	7CN-F4610-01	10 - 2	7RV-G7526-00	25 - 7	7RW-R1341-02-NJ	12 - 10

NUMERICAL INDEX

PART NO.	REF. NO.	PART NO.	REF. NO.	PART NO.	REF. NO.	PART NO.	REF. NO.	PART NO.	REF. NO.	PART NO.	REF. NO.
7RW-R1342-00-NJ	12 - 3	7VY-R1721-00	13 - 9	90149-06263	17 - 2	90501-090A8	3 - 19	93210-22805	9 - 18	95702-08500	23 - 13
7RW-R1345-01	12 - 6	7RW-R1733-00-NJ	13 - 19	90157-03038	19 - 3	90501-264A9	4 - 5		9 - 20		23 - 18
7RW-R1387-00	6 - 17	7RW-R1745-00	12 - 32	90157-03038	4 - 11	90506-04802	3 - 16	93306-054X7	21 - 8		29 - 4
7RW-R1511-20-NJ	12 - 1	7RW-R1791-00	3 - 27	90170-10038	10 - 28	90506-07412	3 - 20		22 - 6		30 - 3
7RW-R1514-10	12 - 25	7RV-R1973-00	17 - 15	90170-18391	27 - 11	90520-10821	6 - 3	93306-054YB	24 - 20	95702-10500	11 - 5
7T0-R1515-00	12 - 13		23 - 24	90173-06802	3 - 14	90520-30802	11 - 18		25 - 17		11 - 7
7T0-R1517-10	12 - 14	7RV-R234R-00	12 - 16	90185-06122	19 - 15	91318-05008	18 - 12	93306-201YB	23 - 20	95802-06008	5 - 14
7RV-R1518-00-NJ	12 - 38		12 - 31	90185-08162	22 - 27	91318-05020	18 - 2	93306-201YC	21 - 9	95802-06010	15 - 5
7RW-R1530-03-NJ	11 - 1		24 - 11	90201-06085	10 - 9	91402-16012	25 - 22	93306-201YJ	9 - 12	95802-06012	3 - 21
7RW-R1537-00	12 - 33	7RV-R234V-00	12 - 27	90201-060K5	15 - 17	91402-20015	13 - 6	93306-20331	21 - 15		5 - 2
7RW-R1539-10	12 - 35		13 - 22	90201-06102	22 - 20		17 - 9		22 - 23		10 - 20
7RW-R1543-00	20 - 8		23 - 10	90201-067L0	3 - 6		17 - 12	93306-206Y5	9 - 10		19 - 5
7RW-R1544-00	20 - 10		23 - 23	90201-06842	3 - 4		18 - 17	93306-207Y2	9 - 2		27 - 9
7RW-R1553-00	11 - 16	7RV-R234X-00	17 - 4	90201-08681	21 - 2	91402-30020	13 - 7	93306-252X4	9 - 5	95802-06016	27 - 7
7XE-R1553-00-33	12 - 42		18 - 14	90201-08856	8 - 8		26 - 4	93440-06826	3 - 5	95802-06025	27 - 6
7RV-R1565-03-NJ	11 - 8	7RW-R2352-02	20 - 14	90201-08858	3 - 9	91402-50050	24 - 17	93450-20839	2 - 5	95802-08025	28 - 10
7RV-R159J-00	16 - 4	7RW-R235A-10	18 - 6	90201-143L7	25 - 10	91609-40014	18 - 8	94702-00331	1 - 6	95812-08020	10 - 15
7RW-R159M-00	22 - 26	7RV-R236L-00	12 - 43	90201-18802	27 - 12	91609-40022	15 - 10	95302-04800	26 - 17	95812-08040	9 - 16
7RV-R159N-00	12 - 28	7T0-R241H-01	19 - 14	90280-04801	27 - 13	91609-40025	17 - 13	95302-06600	21 - 25	95812-10070	1 - 3
7RV-R1625-00-NJ	23 - 19	7VY-R241T-10	18 - 7	90280-05040	24 - 16	92902-04100	26 - 18	95302-06800	15 - 21	95822-06008	8 - 6
7RW-R1626-00	24 - 18	7XE-R2458-00	12 - 45	90282-07061	20 - 3	92902-04200	26 - 16	95302-08600	8 - 9	95822-06012	3 - 26
7RV-R1627-02	22 - 1	7VY-R2481-00	20 - 17	90338-05800	10 - 14	92902-05200	30 - 8		19 - 12		11 - 9
7RV-R1628-00-33	22 - 8	7KW-R2518-00	16 - 10	90338-06800	9 - 14		30 - 17	95302-10600	17 - 6		11 - 13
7RV-R1629-00	21 - 12	7RV-R2519-00	19 - 10	90338-07157	14 - 3	92902-06100	15 - 20		18 - 16		12 - 24
7RW-R1635-20	21 - 19	7RW-R251A-10	14 - 1	90340-12097	9 - 6	92902-06200	11 - 14		25 - 12		12 - 37
7RW-R1636-20	21 - 5	7RV-R2551-02	17 - 10	90387-064E8	23 - 8		12 - 9	95602-06100	12 - 4		12 - 44
7RV-R1637-01	21 - 6	7RW-R2622-10	17 - 3	90387-068K8	10 - 10		17 - 8		12 - 8		13 - 16
7RV-R1638-00	22 - 4	7T0-R2625-00	17 - 7	90387-081M9	15 - 16		17 - 11		12 - 26		16 - 16
7RV-R1639-00	24 - 4		18 - 9	90387-113K4	15 - 19		23 - 26		13 - 23		19 - 8
7RW-R163A-00	21 - 21	7RX-R2627-00	18 - 3	90430-10171	9 - 22	92902-06600	3 - 13		21 - 22		20 - 9
7RV-R1642-00	21 - 1	7RW-R262A-00	18 - 4	90445-081F2	30 - 5	92902-08100	15 - 13	95602-06200	22 - 21		20 - 11
7RW-R1644-03	22 - 17	7RW-R262G-10	18 - 11	90445-10008	10 - 26		22 - 30	95602-12100	25 - 11		20 - 18
7RW-R1645-03	22 - 16	7RW-R265A-10	18 - 1	90445-14020	10 - 29	92902-08200	15 - 12	95622-08618	1 - 5		21 - 16
7RW-R1646-10	22 - 3	7RW-R266A-00	15 - 27		10 - 30		23 - 14	95702-05300	30 - 9		22 - 24
7RW-R1689-11	22 - 11	7RW-R2682-30	31 - 10	90445-18013	23 - 28		23 - 16	95702-05500	12 - 21		23 - 21
7RV-R1693-00	21 - 13	7RW-R2683-00	31 - 4	90445-26006	15 - 6		24 - 25	95702-06500	6 - 8		23 - 22
7RW-R1699-11	22 - 12	7T0-R2693-10	31 - 9	90460-38241	8 - 4		24 - 27		11 - 15		24 - 5
7KY-R169E-00	21 - 11	7T0-R2694-10	31 - 11	90460-71017	6 - 16	92902-10200	11 - 6		12 - 11		24 - 13
	22 - 7	7BE-R2698-10	31 - 12	90462-06232	27 - 8		13 - 8		12 - 47		24 - 19
	12 - 15	7BE-R2699-10	31 - 13	90464-10112	18 - 20		16 - 12		16 - 9		25 - 18
7VY-R169F-01	12 - 7	7T0-R269E-10	31 - 15	90465-10319	12 - 19		18 - 15		23 - 27		26 - 12
7RV-R169G-00	21 - 7	7T0-R2721-00	17 - 1	90467-07093	6 - 14		25 - 13		24 - 14	95822-06016	13 - 14
7RW-R1710-20-NJ	13 - 1	7T0-W008A-01	22 - 18	90467-09037	10 - 27		26 - 2	95702-08300	24 - 10		16 - 15
7RW-R1713-01	13 - 5	90109-06190	12 - 34	90467-09806	6 - 12	92990-05100	7 - 19	95702-08500	12 - 17		23 - 11
7RW-R1715-01	13 - 18	90113-05800	4 - 13		10 - 17	93102-10247	26 - 10		12 - 30		23 - 25
7RW-R1716-00	13 - 4	90116-06821	1 - 11	90467-11108	10 - 18	93102-30801	9 - 11		12 - 40	95822-06020	22 - 19
7RW-R1718-00-NJ	13 - 2	90146-06020	11 - 19	90468-18800	3 - 10	93102-35802	9 - 3		12 - 46	95822-06030	1 - 9
7RW-R171A-00-NJ	13 - 3		11 - 21	90480-15235	10 - 8	93109-08803	9 - 4		16 - 5		21 - 23

NUMERICAL INDEX

PART NO.	REF. NO.	PART NO.	REF. NO.	PART NO.	REF. NO.	PART NO.	REF. NO.	PART NO.	REF. NO.	PART NO.	REF. NO.
95822-08012	12 - 22										
95822-08016	8 - 7										
	12 - 39										
	20 - 12										
	20 - 15										
	22 - 25										
	24 - 24										
	25 - 3										
95822-08020	12 - 23										
	12 - 29										
	12 - 41										
	21 - 4										
95822-08025	22 - 29										
95822-08035	20 - 5										
95822-08045	23 - 15										
95822-10020	11 - 4										
95822-10025	14 - 4										
95880-06020	27 - 10										
97002-05025	30 - 7										
97002-08016	15 - 11										
97002-10014	9 - 21										
97022-06020	21 - 24										
97022-06030	3 - 12										
97022-08030	19 - 11										
97022-10050	26 - 1										
97522-05514	3 - 24										
98502-04008	15 - 23										
98502-05010	12 - 20										
98507-05008	7 - 18										
98702-06016	12 - 12										
98902-06008	13 - 20										
98902-06014	13 - 21										
99009-10400	16 - 2										
99009-25400	24 - 3										
99009-32400	22 - 14										
99009-42500	21 - 18										
99009-75500	22 - 10										
99530-08016	9 - 8										
99530-14016	1 - 4										
99999-04150	30 - 15										